

\*Change new drawing frame in Blue Color since 2009/07/01 .  
to comply with Company CIS Policy.

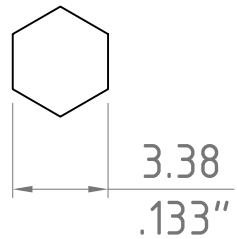
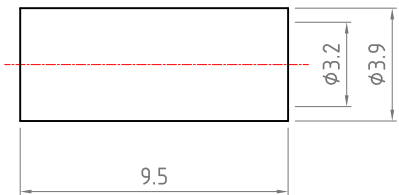
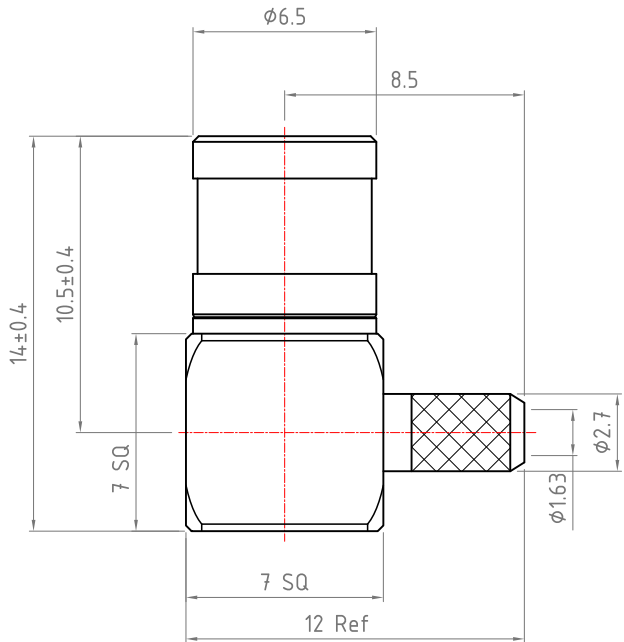
## Revisions

ISS	Symbol	Description	Date
B		CHE for New Drawing Frame & New PN System	2006/07/10

### Notes :

- Any Electrical, Mechanical or Environmental Test Per MIL-C-39012 Should be Spotlighted, as We May Not Have All Testing Equipment to Cover All of It.
- All Metal Materials Are in Compliance with RoHS 2 Directive 2011/65/EU Annex III Section 6 Paragraph.
- Recommended Crimped Hand Tool : for Ferrule P/N - **HT-H116N**

Outline Drawing



### Recommended Crimping Dimensions for Ferrule

### Electrical :

- Impedance : 50 ohm
- Voltage Rating : 250 V rms MIN.(depending on cable)
- Insulator Resistance :  $\geq 1$  G $\Omega$
- Dielectric Withstanding Voltage : 750 V rms .
- Contact Resistance : Center Contact  $\leq 5$  m $\Omega$ .  
Outer Contact  $\leq 2.5$  m $\Omega$  .

### Mechanical :

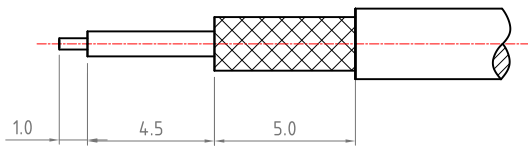
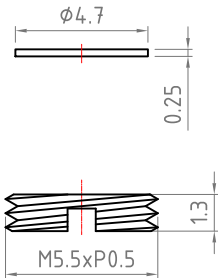
- Mating : Snap-on Coupling.
- Engagement Force :  $\leq 14.2$  lbs
- Disengagement Force : 1.8-14.2 lbs

### Environmental :

- Temperature Range : -65°C to 165°C
- Corrosion(Salt Spray) : MIL-STD-202, Method 101, Cond. B
- Thermal Shock : MIL-STD-202, Method 107, Cond. B
- Mechanical : MIL-STD-202, Method 213, Cond. B
- Vibration : MIL-STD-202, Method 204, Cond. D

### Finish : [Unit of Plating Thickness Is in Micro Inch( $\mu$ )]

- 1. Nickel Plating Thickness : **80  $\mu$ " min.**
- 2. Gold Plating Thickness : **3  $\mu$ " min.**
- 3. Gold Plating Thickness : **2  $\mu$ " max.**



### Recommended Cable Stripping Dimensions

\*RoHS and REACH are fully complied to create a greener planet for future generations.

ITEM	Description	Material	Finish	Part Number	QTY
5	Ferrule	Brass	Finish 3		
4	Inner Contact	BeCu	Finish 1/2		
3	Insulator	PTFE	None		
2	Body	Brass	Finish 3		
1	Shell	Brass	Finish 3		

Scale	Abbr.	Date	Rev.
NTS	ST	2021/05/06	B

All Dimensions in mm  
 (Unless Otherwise Specified)

**S-CONN**
  
*Let's Connect The World*

DWG.NO.	<b>SB103A1G23-M</b>
Customer P/N:	
TITLE	SMB R/A Plug, Crimp Type for RG174;188;316,B7805A,URM95 Cable
<b>S-Conn Enterprise Co., Ltd.</b>	



Tolerances :  
 .X  $\pm 0.2$   
 .XX  $\pm 0.1$   
 .XXX  $\pm 0.05$   
 Angular :  
 .X  $\pm 1^\circ$

**Proprietary Note**  
 This document contains information proprietary to S-Conn, which is either copyrighted, or patent applied for, and / or protected by trade secret laws.  
 This document or parts thereof, may not be used, disclosed or reproduced in any form by any method, or for any purpose, without the written permission of S-Conn, Taiwan

Drawn: *Joe* 2021/05/06  
 Checked: *RD* 2021/05/06  
 Approved: *H. Sun* 2021/05/06