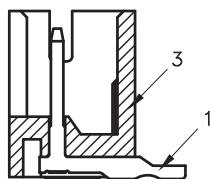
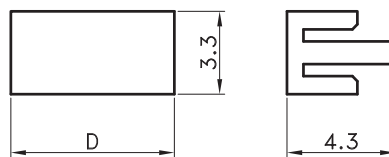
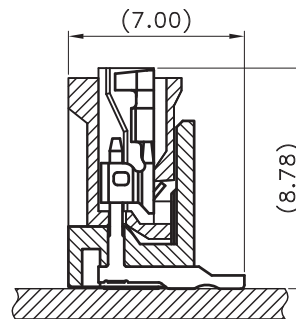
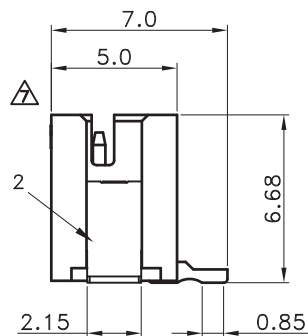


Cap Dimension:

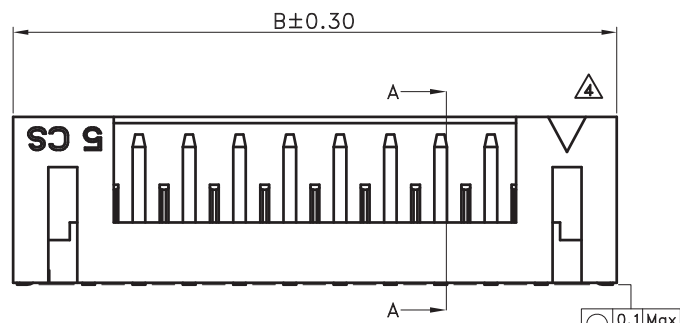
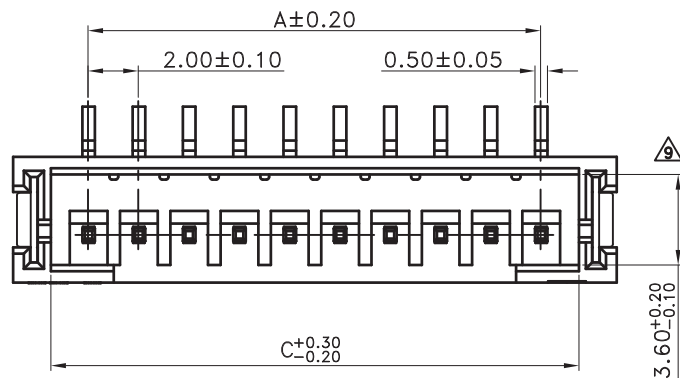


A-A Section

Poles	D
02~03	4.50
04~16	6.50



Assembly Dim.



**SPECIFICATIONS**

- Current Rating : 2A AC/DC
- Withstanding Voltage : 800V AC/minute
- Insulation Resistance : 1,000M Ω min
- Temperature Range : - 25°C to + 85°C
- Contact Resistance : 20m Ω max

**WAFER**

- Part No. : JS-1261-XX XX(XX)

Product Code: ① ② ③

① Poles : 02~16

② Halogen:

Blank:W/ Halogen

HF:No Halogen

③ Plated :

Blank:Bright-Tin Plated

NM:Matte-Tin Plated

**Material :**

1. Contact : Phos. Bronze
  2. Nail : Phos. Bronze
  3. Base : Nylon 9T UL94V-0, Color : Nature
  4. Cap: Nylon PA46 UL94V-0
- Plated : Refer the above options  
 ※ 120μ" Sn All Plated ; 30 μ" Ni under All Over
- Q' ty :
1. 1,000 pcs./Tube (With Cap)
  2. 800 pcs./Reel (With Cap)

**Dimensions**

Poles	Dimensions(mm)		
	A	B	C
2	2.00	8.00	5.00
3	4.00	10.00	7.00
4	6.00	12.00	9.00
5	8.00	14.00	11.00
6	10.00	16.00	13.00
7	12.00	18.00	15.00
8	14.00	20.00	17.00
9	16.00	22.00	19.00
10	18.00	24.00	21.00
11	20.00	26.00	23.00
12	22.00	28.00	25.00
13	24.00	30.00	27.00
14	26.00	32.00	29.00
15	28.00	34.00	31.00
16	30.00	36.00	33.00



喬訊電子工業股份有限公司

CHYAO SHIUNN  
ELECTRONIC INDUSTRIAL LTD.

PART NO JS-1261-XXXX(XX)

2.00mm WIRE TO BOARD CONN, STRAIGHT & SMT TYPE

APPROVED BY	SCALE	UNIT	TOLERANCE	LTR	REVISION RECORD	NAME	DATE	LTR	REVISION RECORD	NAME	DATE
張育瑞		mm	.0 ±0.30	△	PIN1位置修改	林文彬	2006/02/17	△	修改齒素選項, 將NH選項變更回HF	吳弘文	2012/09/17
CHECKED BY	PROJ	VER NO.	.00 ±0.20	△	虛線標註尺寸更正為剖面標註尺寸	黃科源	2008/03/13	△			
黃科源		a11	.000 ±0.10	△	增加尺寸表列	黃科源	2008/06/17	△			
DRAWN BY	DATE	SIZE	ANGLE		增加側視圖, 並加註C點尺寸	黃科源	2009/03/18	△			
吳弘文	2012/09/17	A4	0° ±1°	△	修改物性表	王誠賢	2010/12/24	△			
			.0° ±	△	修改產品結構及新增無齒選項	王誠賢	2011/12/22	△			
			SHEET	1/1	統一齒素選項, 將原HF變更為NH	張逸維	2012/09/04	△			

CUSTOMER

Conforms to The RoHS Instruction