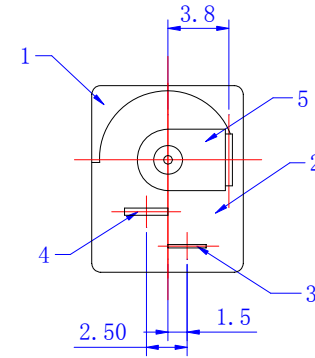
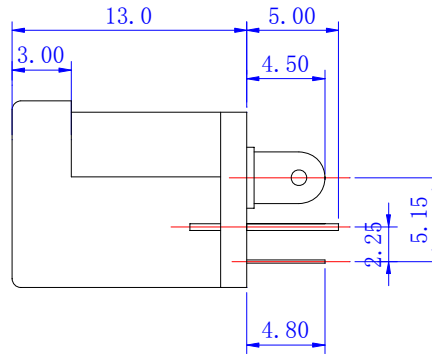
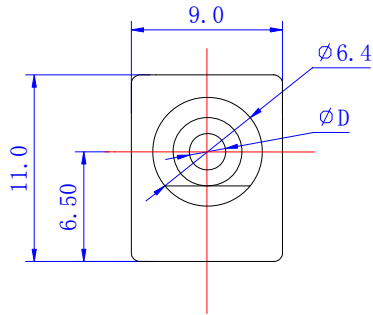
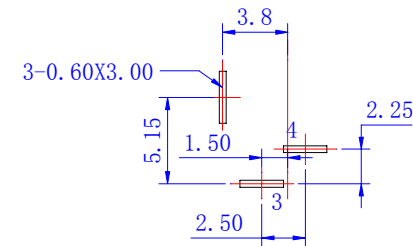


NO:	PARTCILR	BY	DATE
REVISIONS			



MODEL	DC-06
ØD	Ø2.00
SCHEMATIC	



PCB

6	PIN	HPb59-1	1	Ni PLATED
5	TERMINAL-C	H65-0.4Y	1	Ag PLATED
4	TERMINAL-B	H65-0.35Y	1	Ag PLATED
3	TERMINAL-A	65Mn	1	Ag PLATED
2	COVER	电工板	1	BROWN
1	HOUSE	ABS 94HB	1	BLACK
NO:	PART NAME	MATERIAL	QTY	FINISHING

MODEL NO: DC-06	TOLERANCE: ±0.2	DRAWN BY: Wuliwei 05.10.17
TYPE: DC JACK	UNIT: mm	CHECKED BY:
MATERIAL NO: 51300601	SCALE: NO SCALE	APPROVED BY:

