

MARITEX SW-PB20A2x

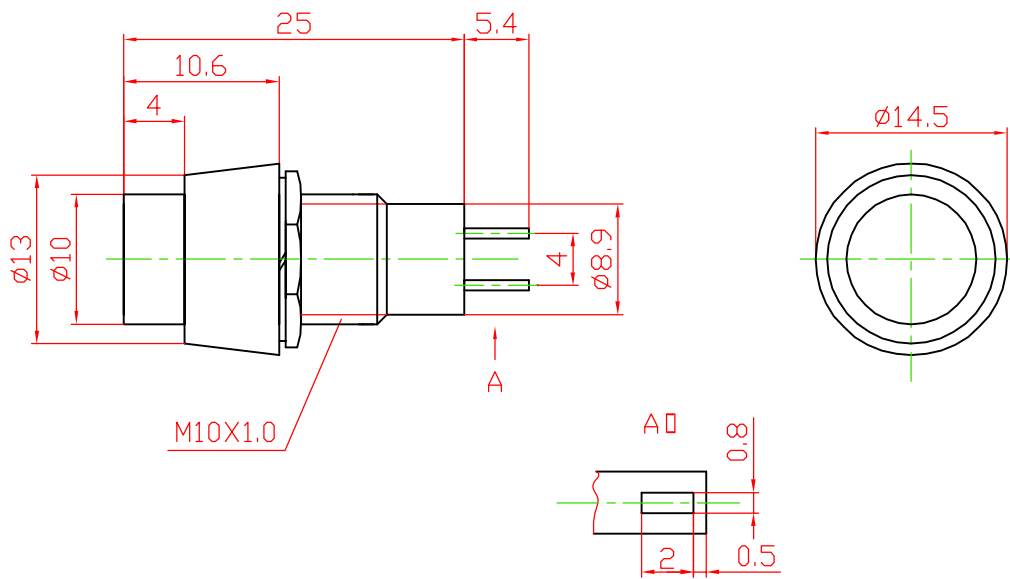
Push-Button Switch

(TYPE): PBS-20A-2

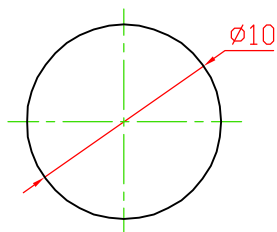
Specification

- 1.(Rating): 3A 125V AC; 1A 250V AC
- 2.(Contact R): 20 OHM \supset max
- 3.(Insulation R): 500V DC 100 OHM \supset min
- 4.(Dielectric Strength): 1 Minute 1000V AC
- 5.(Operating Temperature): $-55^{\circ}\text{C}+85^{\circ}\text{C}$
- 6.(Electrical Life): 50.000 Cycles

Outline Drawing



Mounting



Circuitry

