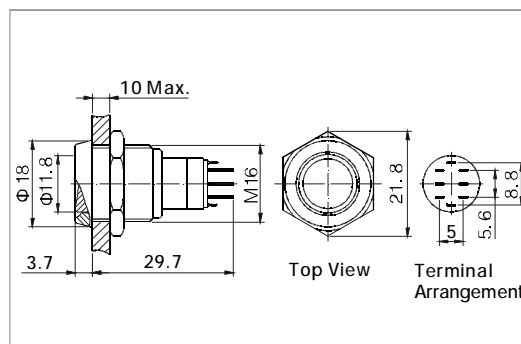


ANTI-VANDAL PUSHBUTTONS

PUSH BUTTON SWITCH



- ⊙ Φ 16mm diameter
- ⊙ 3A/250VAC
- ⊙ 1NO1NC/2NO2NC
- ⊙ The Front Shape: Concave Round
- ⊙ The crust material: Stainless Steel/
Brass(Nikel Plated, Gold Plated)
- ⊙ IP Degree: IP67



Specification	LAS2GQC-□□□	
The Front Shape	Concave Round	
Terminal Type	Pin Terminal	
Switching	No.3	
Max. Switch Rating	3A/250VAC	
Contact Resistance	$\leq 50\text{m}\Omega$	
Insulation Resistance	$\geq 1000\text{M}\Omega$	
Dielectric Strength	2000VAC	
Operation Temp.	$-20^{\circ}\text{C} \sim +70^{\circ}\text{C}$	
Mechanical Life	1,000,000cycles	
Electrical Life	50,000 cycles	
Contact Material	Silver Alloy	
Panel Thickness	1 ~ 10mm	
Torque	5 ~ 14Nm	
Operation Temp.	5.5N	
IP Degree	IP67	
Head color	---	
	RoHS Made to order	
Material	Button	Stainless Steel/Brass(Nikel Plated, Gold Plated)
	Body	Stainless Steel/Brass(Nikel Plated, Gold Plated)
	Base	PBT