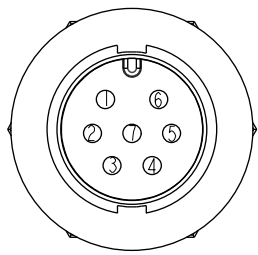
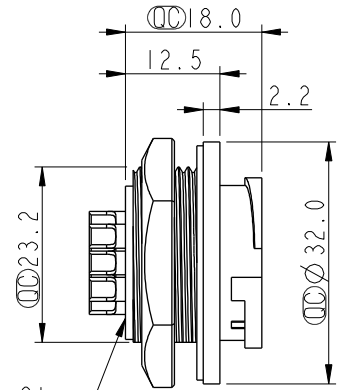


REV.	ECN NO.	DATE	SIGN	DESCRIPTION
B	LEN-8A0244	2008/09/11	Shin	Add Notes

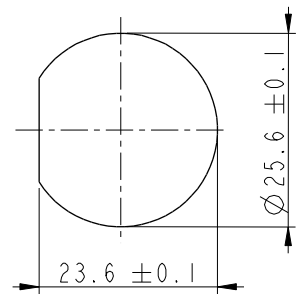


Pin Assignments
Front View 前視圖



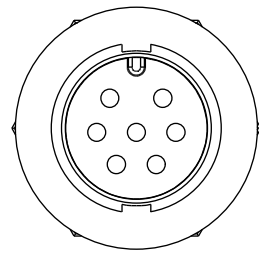
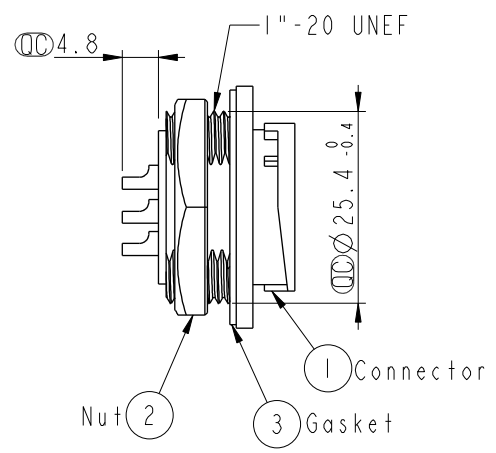
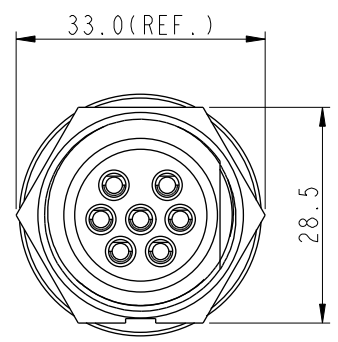
With Liquid Glue

ALTW
CONFIDENTIAL
2012-05-17
R&D DEPT.



Recommended Panel Cut-Out

ALTW
DCC. DEPT.
CONFIDENTIAL
2012-06-27
ISSUED



NOTE:

- * (重要) Important Dimension. (重要檢驗尺寸)
- * Waterproof Rate: IP67
- * Housing: Black, Nylon+GF
- * Male Pin: Copper Alloy, Gold Plated
- * Liquid Glue: Clear
- * Gasket: Black, EPDM
- * Nut: Black, Nylon+GF
- * Use Waterproof Cap or Dust Cap
Panel Thickness Max: 3.0mm
- * Use without Waterproof Cap or Dust Cap
Panel Thickness Max: 4.0mm

UNIT: mm		
TOLERANCE	.X ±0.25	
	.XX ±0.1	
	.XXX ±0.05	
ANGLES	±1°	

TITLE LARGE PANEL LOCK 7PIN M CONN M PIN			
SCALE 1:1	SIZE A4	SHEET 1 OF 1	
REV. B	WC-REV. A.1	(重要) Inspection item	

Amphenol LTW
安費諾亮泰企業股份有限公司

ITEM NO. DC-07RMMS-LC7001	DRAWN BY SamChang	DATE 2012-05-17
DWG NO. DC-07RMMS-LC7001	CHECKED BY Jeffrey	DATE 2012-06-27
CUSTOMER ALTW	APPROVED BY Lion	DATE 2012-06-27

THIS DOCUMENT IS SUBJECT TO CHANGE WITHOUT NOTICE. IT IS CONFIDENTIAL AND A PROPERTY OF AMPHENOL LTW. DISCLOSURE TO THIRD PARTY HAS TO BE AUTHORIZED BY AMPHENOL LTW.