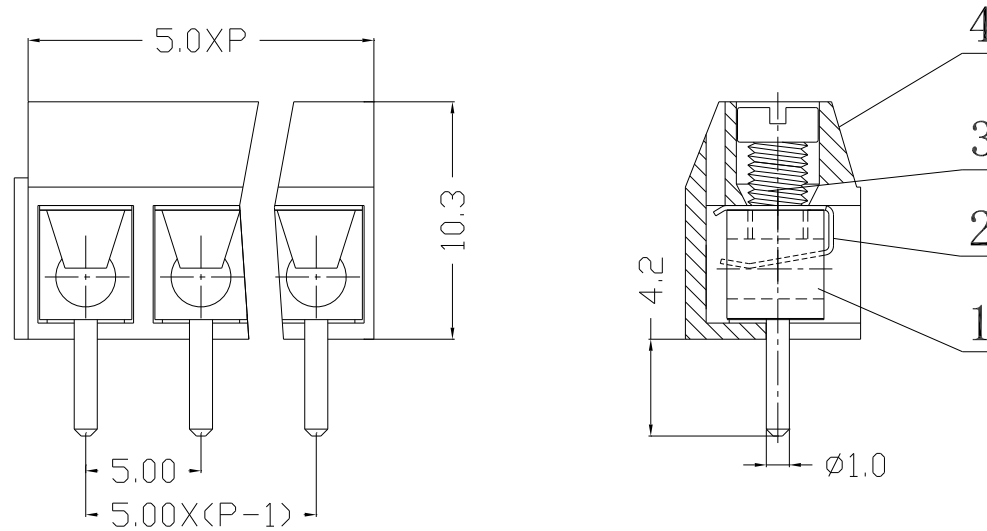


序号/RevNo.	名称/Title	文件编号/File No.
1	XY301V端子	
2	XY301簧片	
3	XY301螺丝	
4	XY301V塑件	

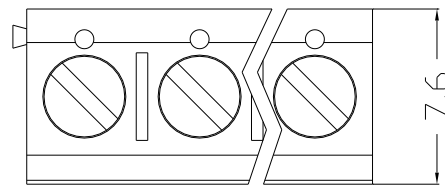


250V 16A 1.5mm²

Poles: 2P&3P

Pitch: 5mm/10mm

Pin Dimension: Ø1.0mm



Materials

Housing: PBT(30% Glass filled)

Solder Pin: Brass, Tin Plated.

Screw: M2.6, Steel, Zinc Plated.

Wire Protector: 0.2t, Stainless steel.

设计/Designed by	绘图/Drawing by	审核/Checked by	批准/Approved by	未注公差 General Tolerance	
				x. ±0.2	x." ±2'
				.x ±0.1	.x" ±1'
				.xx ±0.05	.xx" ±0.5'
				.xxx ±0.01	
 XINYA ELECTRONIC CO., LTD				图名/Title	
				XY301V产品图	
				文件编号/File No.	
				页序/Sheet	
备注/Remark				单位/Units: mm	

序号/RevNo.	更改记录/Revision note	签名/Signature	日期/Date