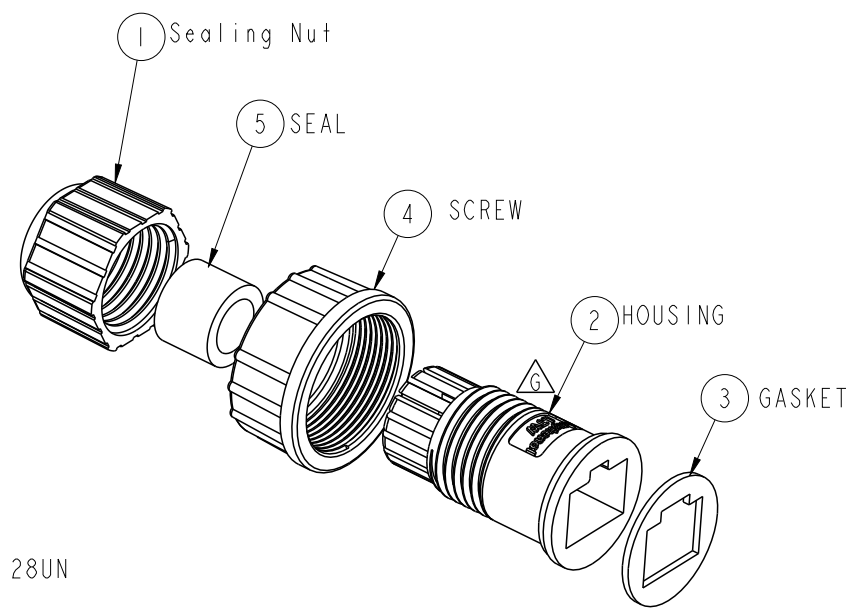
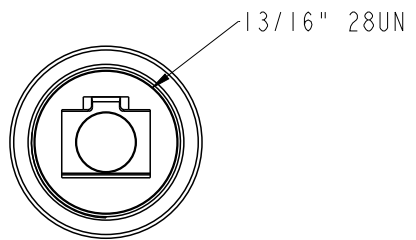
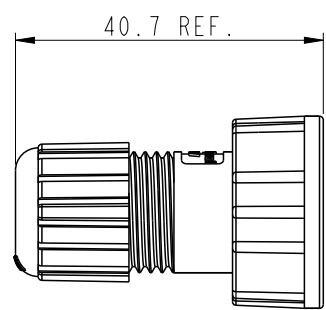
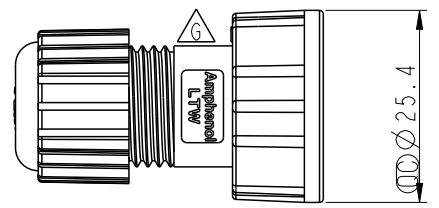
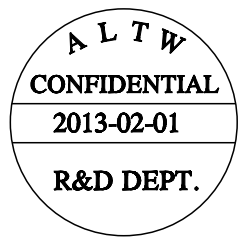


THIS DOCUMENT IS SUBJECT TO CHANGE WITHOUT NOTICE. IT IS CONFIDENTIAL AND A PROPERTY OF Amphenol LTW. DISCLOSURE TO THIRD PARTY HAS TO BE AUTHORIZED BY Amphenol LTW.

REV.	ECN NO.	DATE	SIGN	DESCRIPTION
E	LEN1130437	2011/03/14	Jiang Jun	Add Cable OD Description
F	LEN1190125	2011/09/02	Allen	Undate Nute
G	LEN-1310116	2013/01/09	RAISON	ADD LOGO



- Note:
- * \varnothing Important Dimension
 - * Waterproof Rate : IP67 (Mating)
 - * Housing : Nylon+GF,Black
 - * Gasket : EPDM,Black.
 - * Screw Nut : Nylon+GF,Black
 - * Sealing Nut: Nylon,Black
 - * Seals: EPDM,Black
 - * Seals for cable OD \varnothing 4.5~6.0mm
 - * One Set Unassembled in One PE Bag.

UNIT : mm		
TOLERANCE		
.X	± 0.25	
.XX	± 0.1	
.XXX	± 0.05	
ANGLES	$\pm 1^\circ$	

TITLE 13/16" RJ45 ASS'Y TYPE			
SCALE 1:1	SIZE A4	SHEET 1 OF 1	
REV. G	WC-REV. A.3	\varnothing : Inspection item	

Amphenol LTW
安費諾亮泰企業股份有限公司

ITEM NO. RJ-00BMMMA-SL7005	DRAWN BY Raison_liao	DATE 2013-02-01
DWG NO. RJ-00BMMMA-SL7005	CHECKED BY TONY	DATE 2013-02-01
CUSTOMER ALTW	APPROVED BY VICTOR	DATE 2013-02-01