

Connector

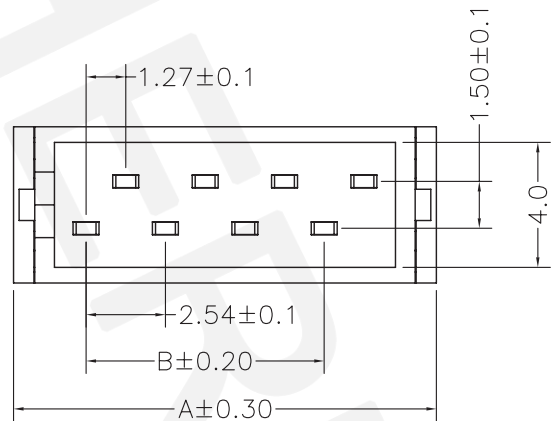
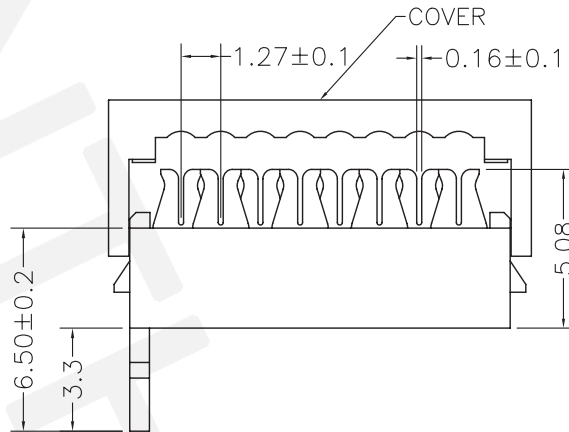
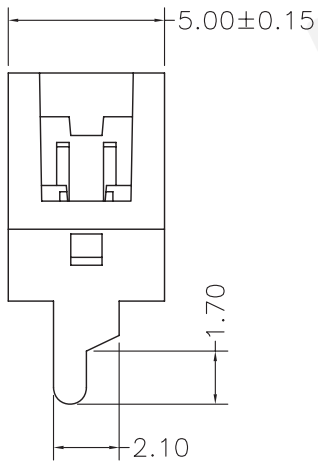
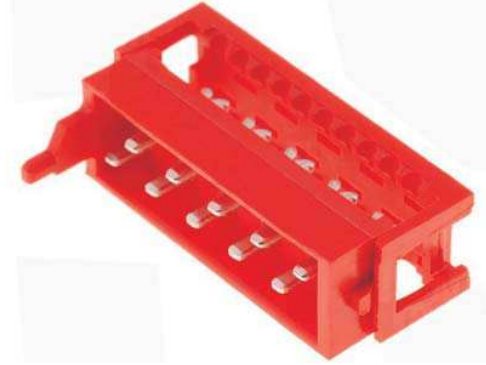
Connectors micro-match 2.54mm

Electrical Characteristics:

Current Rating: 1 AMP
 Insulator Resistance: 1000M Ohm min. at DC 250V
 Contact Resistance: 20m Ohm max. at DC 100mA
 Operating Temperature: -45°C~+105°C

Material:

Housing: PBT UL94V-0
 Contacts: Bronze
 Plating: Tin plated
 Cable: 1.27mm (0.050") pitch flat cable



Part No.	Dimension	
	A	B
04	8.45	2.54
06	10.99	5.08
08	13.53	7.62
10	16.07	10.16
12	18.61	12.70
14	21.15	15.24
16	23.69	17.78
18	26.23	20.32
20	28.77	22.86