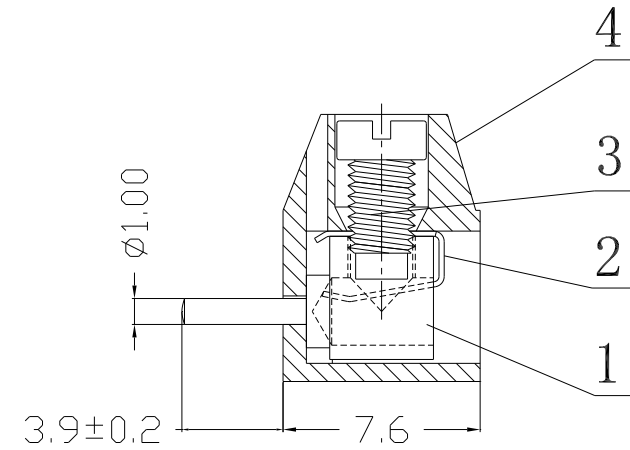
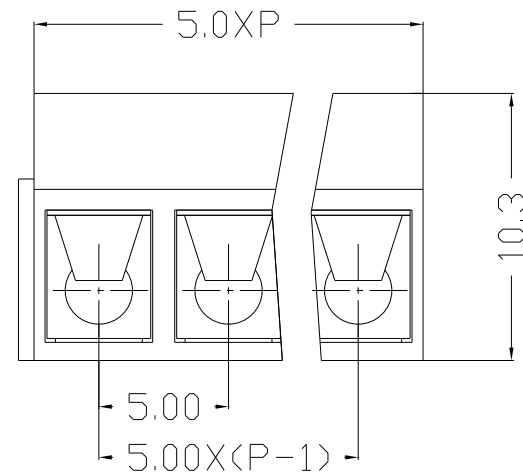


序号/RevNo.	名称/Title	文件编号/File No.
1	XY301R端子	
2	XY301簧片	
3	XY301螺丝	
4	XY301R塑件	



250V 16A 1.5mm²

Poles: 2P&3P

Pitch: 5mm/10mm

Pin Dimension: $\phi 1.0\text{mm}$

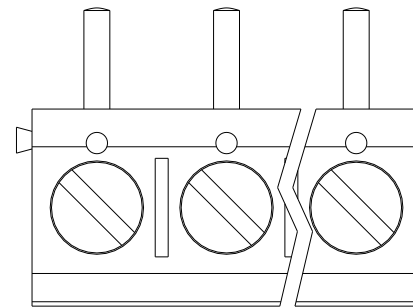
Materials

Housing: PBT(30% Glass filled)

Solder Pin: Brass,Tin Plated.

Screw: M2.6,Steel,Zinc Plated.

Wire Protector: $\phi 0.2\text{t}$,Stainless steel.



设计/Designed by	绘图/Drawing by	审核/Checked by	批准/Approved by	未注公差 General Tolerance	
		图名/Title	文件编号/File No.	x. ±0.2	x.° ±2°
		XY301R产品图	页序/Sheet	.x ±0.1	.x° ±1°
备注/Remark				.xx ±0.05	.xx° ±0.5°
				.xxx ±0.01	
				单位/Units: mm	

序号/RevNo.	更改记录/Revision note	签名/Signature	日期/Date