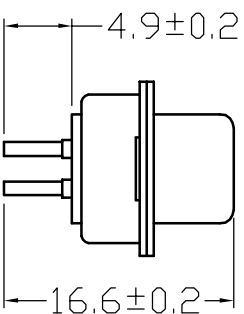
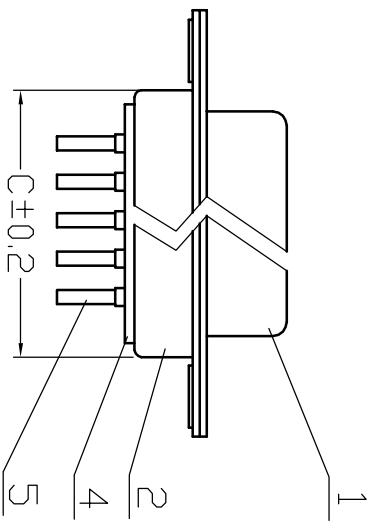
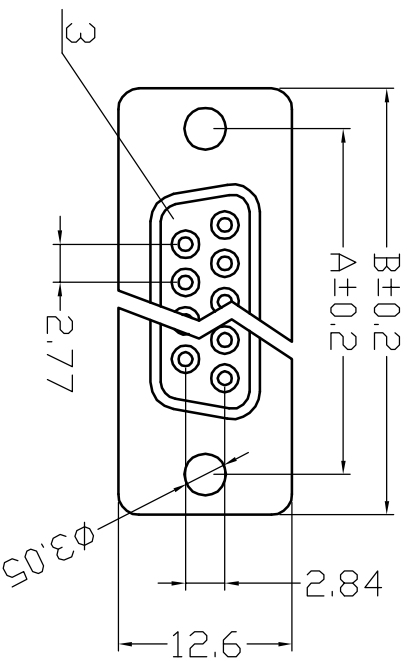


序号/Rev.No	名称/Title	文件编号/Title No.
1	上铁壳	
2	下铁壳	
3	100F前塑料件	
4	100F后塑料件	
5	101F端子	

Specifications:
 Contact Resistance: 30mΩ max. at DC 100 mA
 Insulator Resistance: 1000MΩ min. at DC 500V
 Current Rating: 5AMP

Dielectric Withstanding
 Voltage: AC 1000V For 1 minute
 Operating Temperature: -55°C--+105°C
 Contact: Phosphor Bronze
 Housing: PBT &30% Glass Fiber (UL 94V-0)



Position	A	B	C
9	24.99	30.81	19.36
15	33.32	39.20	27.64
25	47.04	53.10	41.08
37	63.50	69.50	57.38

设计/Designed by: 绘图/Drawn by: 审核/Checked by: 批准/Approved by: 未注公差/General Tolerance

图名/Title: 文件编号/File No. X ±0.2 X ±0.1 X ±1° .xx ±0.05 .xxx ±0.01

101F产品图 页序/Sheet:

新亚电子
 XINYA ELECTRONIC CO., LTD

序号/Rev.No: 更改记录/Revision note: 签名/Signature: 日期/Date: