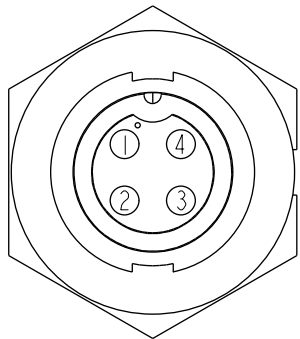
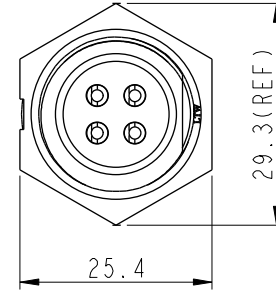
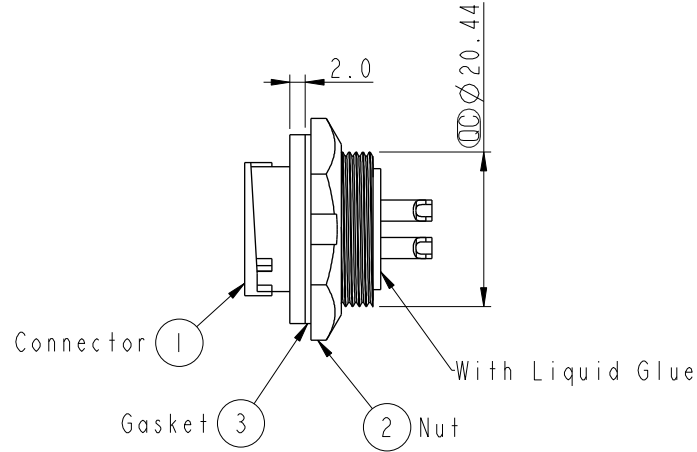
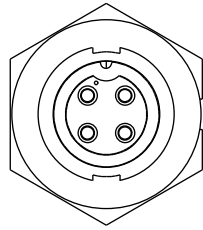


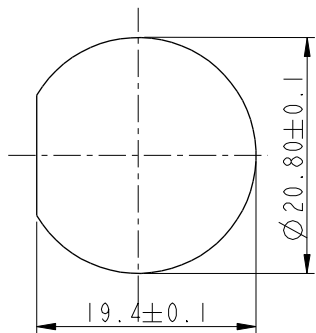
REV.	ECN NO.	DATE	SIGN	DESCRIPTION
B	LEN-8B0237	2008/10/03	Shin	Add Note

ALTW
CONFIDENTIAL
2012-04-03
R&D DEPT.

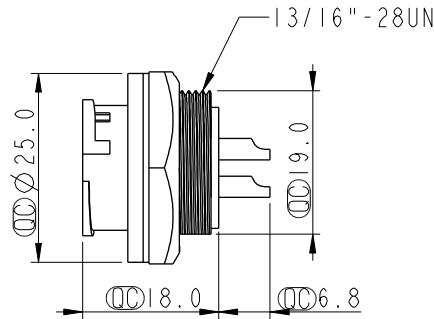
ALTW
DCC. DEPT.
CONFIDENTIAL
2012-04-25
ISSUED



Pin Assignments
Front View



Recommender Panel Cut-Out



Note:

- * \varnothing Important Dimension To Check.
- * Waterproof Rate: IP67
- * Housing: Nylon+GF, Black.
- * Pin: Copper Alloy, Gold Plated.
- * Nut: Nylon+GF, Black.
- * Gasket: EPDM.Black.

- $\triangle A$ * Use with waterproof cap or dust cap
Panel Thickness Max: 3.0mm
- $\triangle B$ * Use without waterproof cap or dust cap
Panel Thickness Max: 4.0mm

UNIT:mm	
TOLERANCE	
.X	±0.25
.XX	±0.1
.XXX	±0.05
ANGLES	±1°

TITLE MIDDLE PANEL LOCK 4PIN M CONN. F PIN			
SCALE 1:1	SIZE A4	SHEET 1 OF 1	
REV. B	WC-REV. A.3	\varnothing : Inspection item	

Amphenol LTW
安費諾亮泰企業股份有限公司

ITEM NO. CB-04RMFS-LC7001	DRAWN BY SamChang	DATE 2012-04-03
DWG NO. CB-04RMFS-LC7001	CHECKED BY Jeffrey	DATE 2012-04-25
CUSTOMER ALTW	APPROVED BY Lion	DATE 2012-04-25

THIS DOCUMENT IS SUBJECT TO CHANGE WITHOUT NOTICE. IT IS CONFIDENTIAL AND A PROPERTY OF AMPHENOL LTW. DISCLOSURE TO THIRD PARTY HAS TO BE AUTHORIZED BY AMPHENOL LTW.