

Note:

1. Material:

\* Insulation: Nylon 6T UL 94V-0, Color Nature

\* Contact: Brass with Matte Tin plated

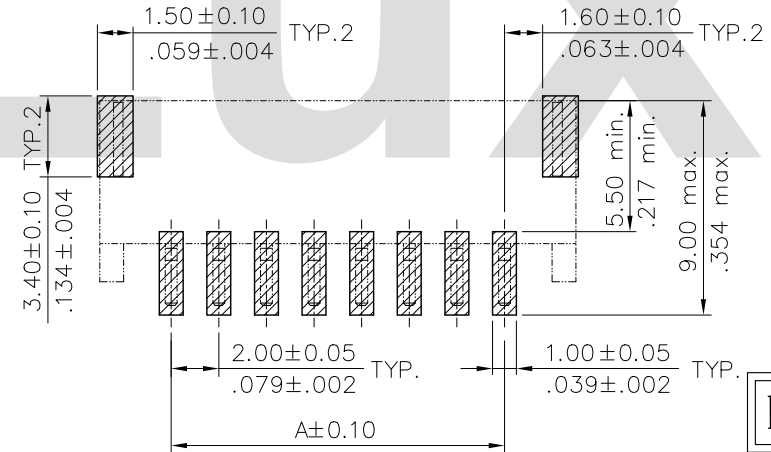
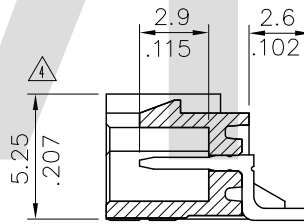
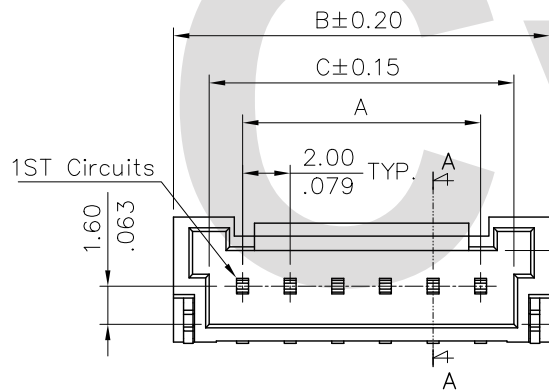
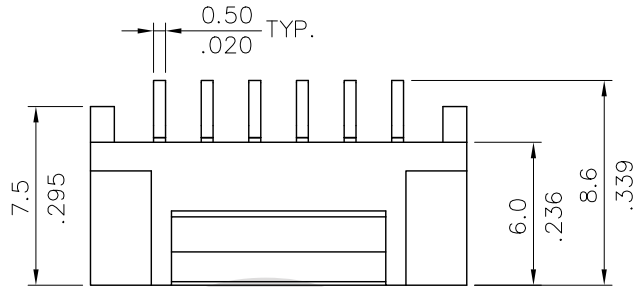
\* TAB: Brass with Matte Tin plated

△ 2. For Lead Free IR Reflow Process

Ordering Code:

CI06 \*\* M 1 H \* 0 -LF  
 ① ② ③ ④ ⑤ ⑥ ⑦ ⑧

		TOLERANCE		
Dim	Circuits	2~6P	7~10P	11~15P
A		±0.10	±0.15	±0.20



Sold Pad Pattern

A = 2.00 x No. of Spaces

△ B = A + 5.8

△ C = A + 2.8

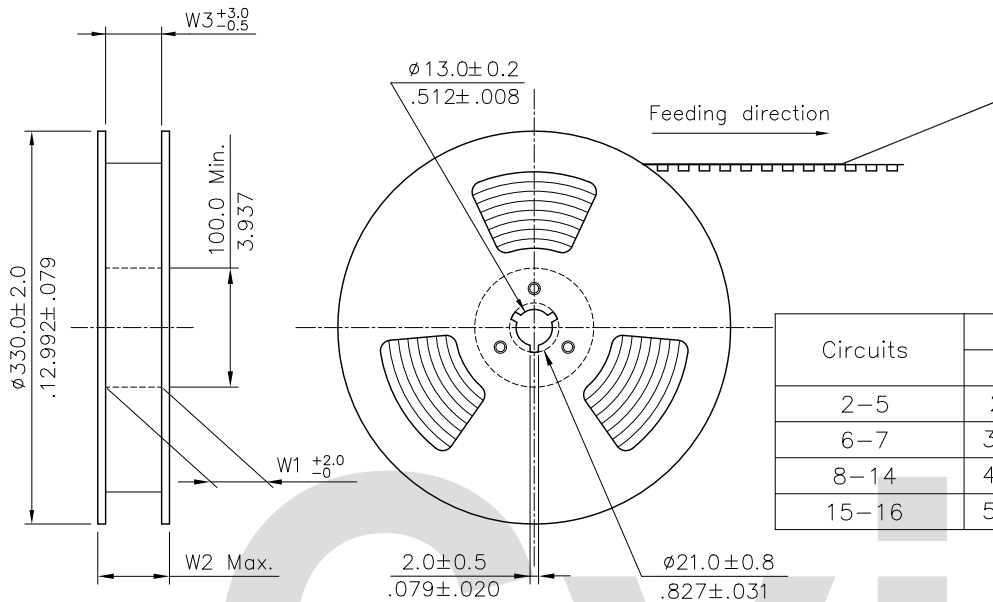
\* Available in 2 through 15 circuits

Lead Free Process

RoHS Compliant

SYMBOL	NAME	DATE	REVISIONS	APPROVED BY:	DATE	TITLE	UNIT	TOLERANCE	MATERIAL	FINISH	DRAWING NO.	SCALE	PART NO.	SHEET	OF
△5	Enya	3/8-13'	ECN13056-0/ECR13007-1			2.00mm PITCH SIDE ENTRY	mm / inch								
△4	Sandy	6/18-10'	ECN10212	DRAWN BY:	Enya	SMT HEADER									
△3	Sun	3/30-10'	ECN10088	ENGINEER:	Eisley			UNLESS OTHERWISE SPECIFIED							
△2	Sandy	9/5-08'	ECN08403	CHECKED BY:	Eisley			.X ± 0.30/.012	.X' ± 1'						
				APPROVED BY:	David			.XX ± 0.20/.008	.X' ±						
								.XXX ± 0.10/.004	.XX' ±						

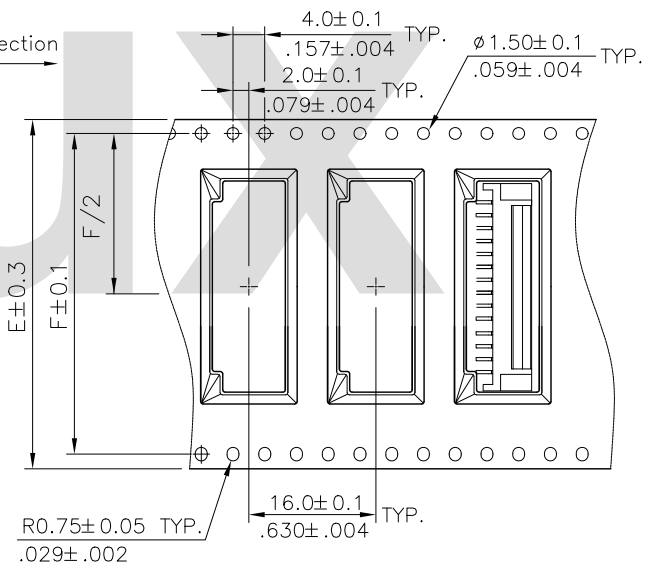
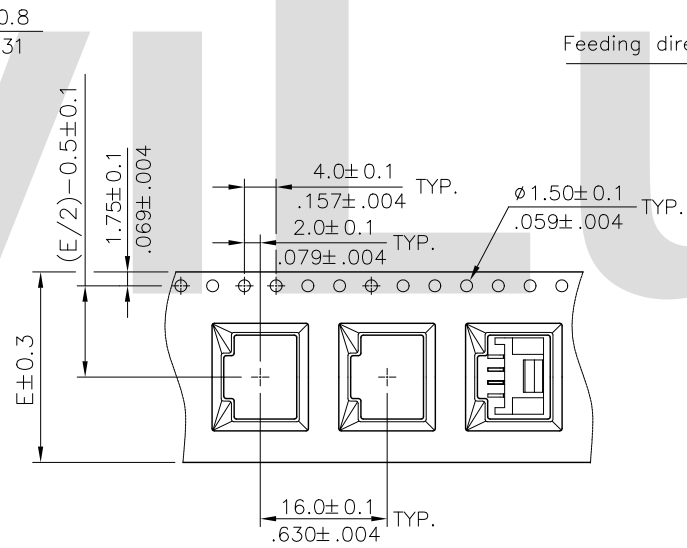
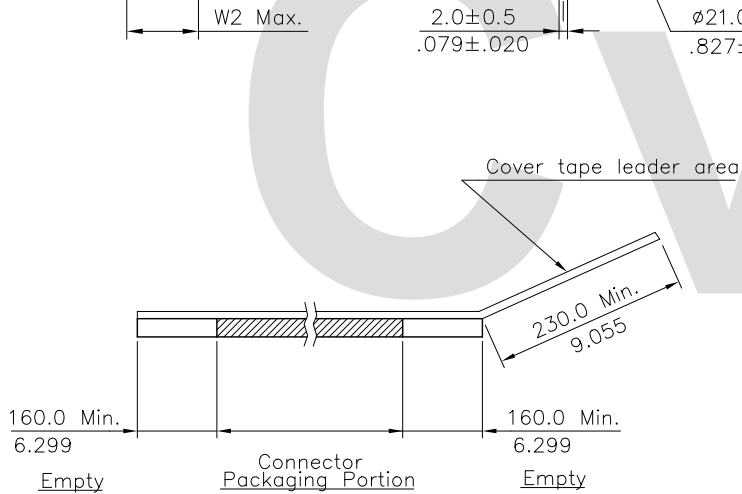




NOTE :

- \* Reel Material : HIPS
- \* Carrier Material : Transparent Anti-static Polysyrene.
- \* Cover Tape Material : Polyester
- \* Cover Tape Peel Strength : 0.1N – 1.3N
- \* Carrier camber is within 1mm in 100mm
- \* All dimensions meet EIA-481-2 requirements.
- \* Quantity : 700 PCS/Reel


Circuits	Dimension					Packing (Reel/Carton)
	E	F	W1	W2	W3	
2-5	24.0(.945)	-	24.5(.965)	30.5(1.200)	24.5(.965)	9
6-7	32.0(1.260)	28.40(1.118)	32.5(1.280)	38.5(1.516)	32.5(1.280)	7
8-14	44.0(1.732)	40.40(1.596)	44.5(1.752)	50.5(1.988)	44.5(1.752)	5
15-16	56.0(2.205)	52.40(2.063)	56.5(2.224)	62.5(2.461)	56.5(2.224)	4



WIDTH : 24 mm Carrier

WIDTH : 32,44,56 mm Carrier

RoHS Compliant

5	Enya	3/8-13'	ECN13056-0/ECR13007-1		DATE	UNIT: mm / inch	TITLE: 2.00mm PITCH SIDE ENTRY SMT HEADER	 瀚荃股份有限公司 CviLux Corporation	
4	Sandy	6/18-10'	ECN10212	DRAWN BY: Enya	3/08-13'	TOLERANCE UNLESS OTHERWISE SPECIFIED	MATERIAL:		
3	Sun	3/30-10'	ECN10088	ENGINEER: Eisley	3/09-13'	.X ±      .X' ± 1'	FINISH:		
2	Sandy	9/5-08'	ECN08403	CHECKED BY: Eisley	3/09-13'	.XX ±     .X' ±	DRAWING NO. CIO607SF		
SYM	NAME	DATE	REVISIONS	APPROVED BY: David	3/09-13'	.XXX ±    .XX' ±	PART NO. CIO6**M1H*0-LF		
								SCALE	SHEET 2 OF 2

  
 2013.05.07  
 ISSUED