

PRODUCT DATASHEET

Tina2 series

last update 11/11/2016

**Product number CA11016_TINA2-RS**

Family	Tina2	FWHM	11 degrees
Type	Assembly	Efficiency	93 %
LED	XP-E	cd/lm	14.670
Color	Black	Gerber File	Available
Diameter	16.1 mm		
Height	9.7 mm		
Style	Round		
Optic Material	PMMA		
Holder Material	-		
Fastening	["tape"]		
Status	Production ready		

**Product number CA11052_TINA2-O**

Family	Tina2	FWHM	32+14 degrees
Type	Assembly	Efficiency	87 %
LED	XP-E	cd/lm	4.400
Color	Black	Gerber File	Available
Diameter	16.1 mm		
Height	9.7 mm		
Style	Round		
Optic Material	PMMA		
Holder Material	-		
Fastening	["tape"]		
Status	Production ready		

**Product number CA12056_TINA2-W**

Family	Tina2	FWHM	50 degrees
Type	Assembly	Efficiency	88 %
LED	XP-E	cd/lm	1.500
Color	Black	Gerber File	Available
Diameter	16.1 mm		
Height	9.7 mm		
Style	Round		
Optic Material	PMMA		
Holder Material	-		
Fastening	["tape"]		
Status	Production ready		

NOTE: The typical divergence will be changed by different color, chip size and chip position tolerance. The typical total divergence is the full angle measured where the luminous intensity is half of the peak value.



PRODUCT DATASHEET

Tina2 series

last update 11/11/2016

GENERAL INFORMATION

- Product series especially designed & optimized for XP-E series of LEDs.
- Special care taken to make light distribution as uniform as possible.
- Lens material optical grade PMMA with high UV and temperature resistance. Allows use of high current and temperature conditions.

Please find more information about used material from below:

http://ledil.fi/sites/default/files/Documents/Technical/Material/PMMA%20N%20UL94_Yellow%20Card.pdf

<http://ledil.fi/sites/default/files/Documents/Technical/Material/PMMA%20N%20PLEXIGLAS-Datasheet.pdf>

D

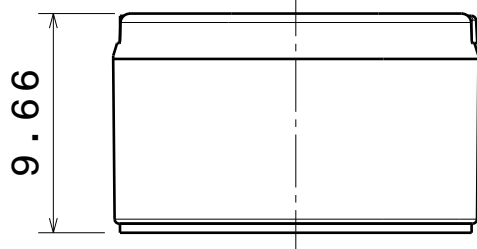
C

B

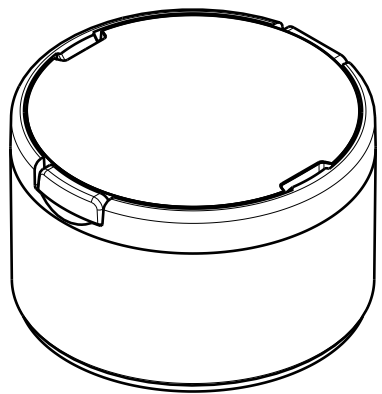
A

4

4



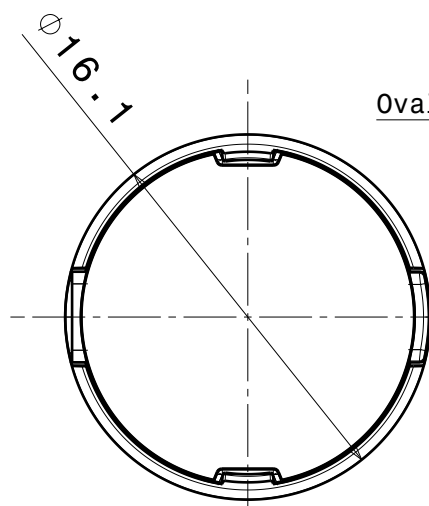
Front view



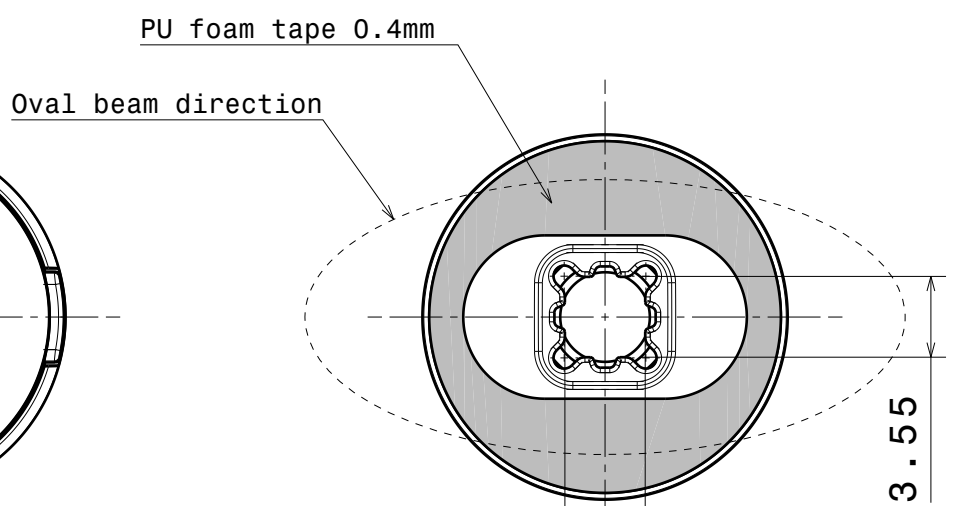
Isometric view
Scale: 3:1

3

3



Top view



Bottom view

2

2

INDEX	PART NO	DESCRIPTION	MATERIAL	COLOUR
1	C11418	TINA2-XP-HLD-TAPE-BLK	PC	black
2	C11050	TINA2-XP-0	PMMA	

Tolerances if not otherwise shown
According to DIN ISO 2768-1
Linear measures:
Up to 30mm class M, otherwise class C.
According to DIN ISO 2768-2
Form and position: class L

LEDiL LediL Oy
Salorankatu 10
FIN 24240 SALO
Finland

THIRD ANGLE PROJECTION:

DRAWING TITLE
CA11052_TINA2-0

This drawing is the property of LEDiL Oy. It may not be reproduced, copied or communicated without a written agreement with LEDiL Oy.

SIZE PART NUMBER
A4 CA11052

SCALE 3:1 WEIGHT 1,3 g SHEET 1/1

1

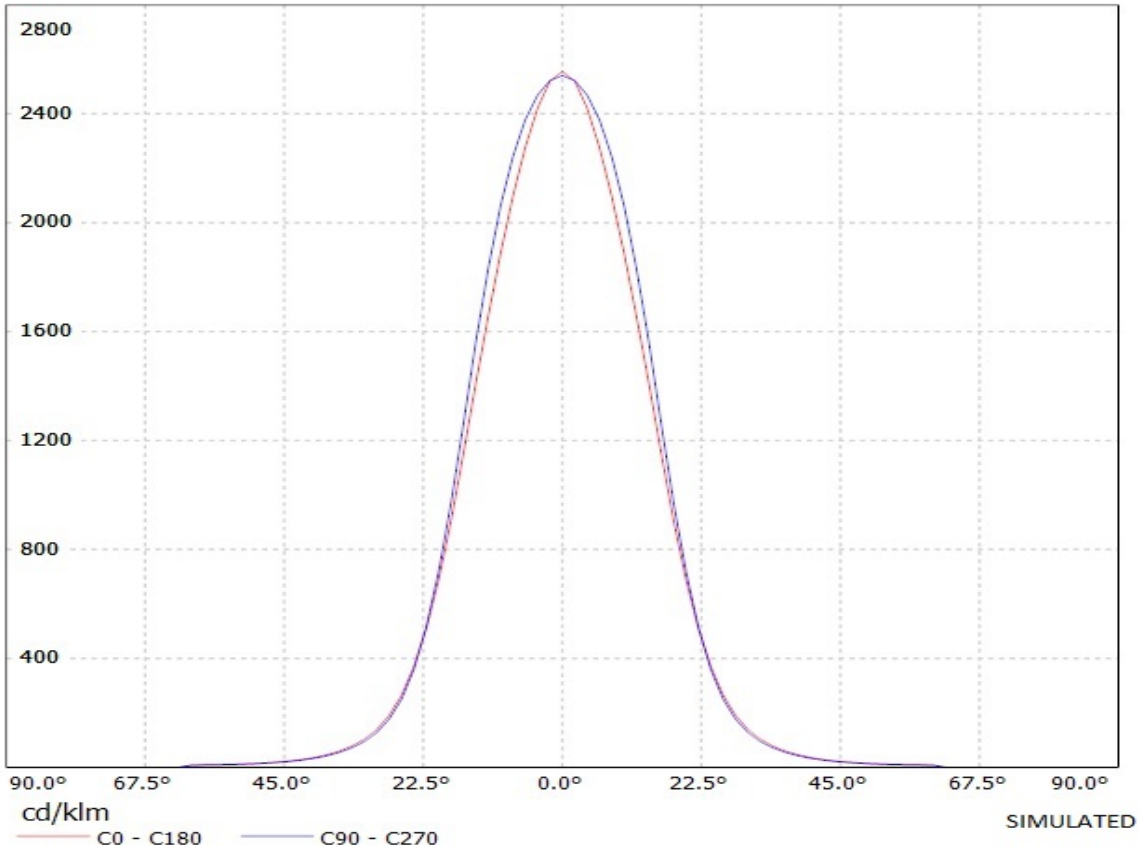
1

D

A

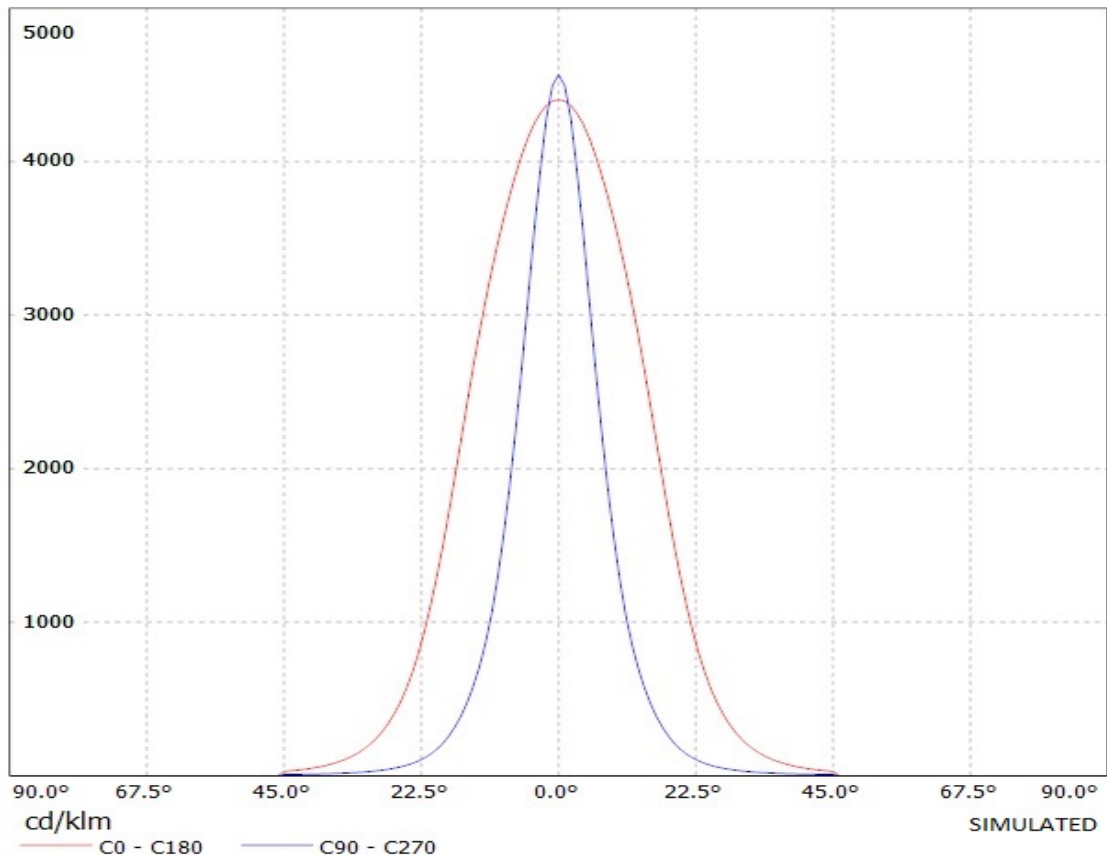
Ledil Oy CA11017_Tina2-XP-M-black Cree XP-E (white) 76lm @ 250mA LOR is 91% / LDC (Linear)

Luminaire: Ledil Oy CA11017_Tina2-XP-M-black Cree XP-E (white) 76lm @ 250mA LOR is 91%
Lamps: 1 x Cree XP-E (white) 76lm @ 250mA

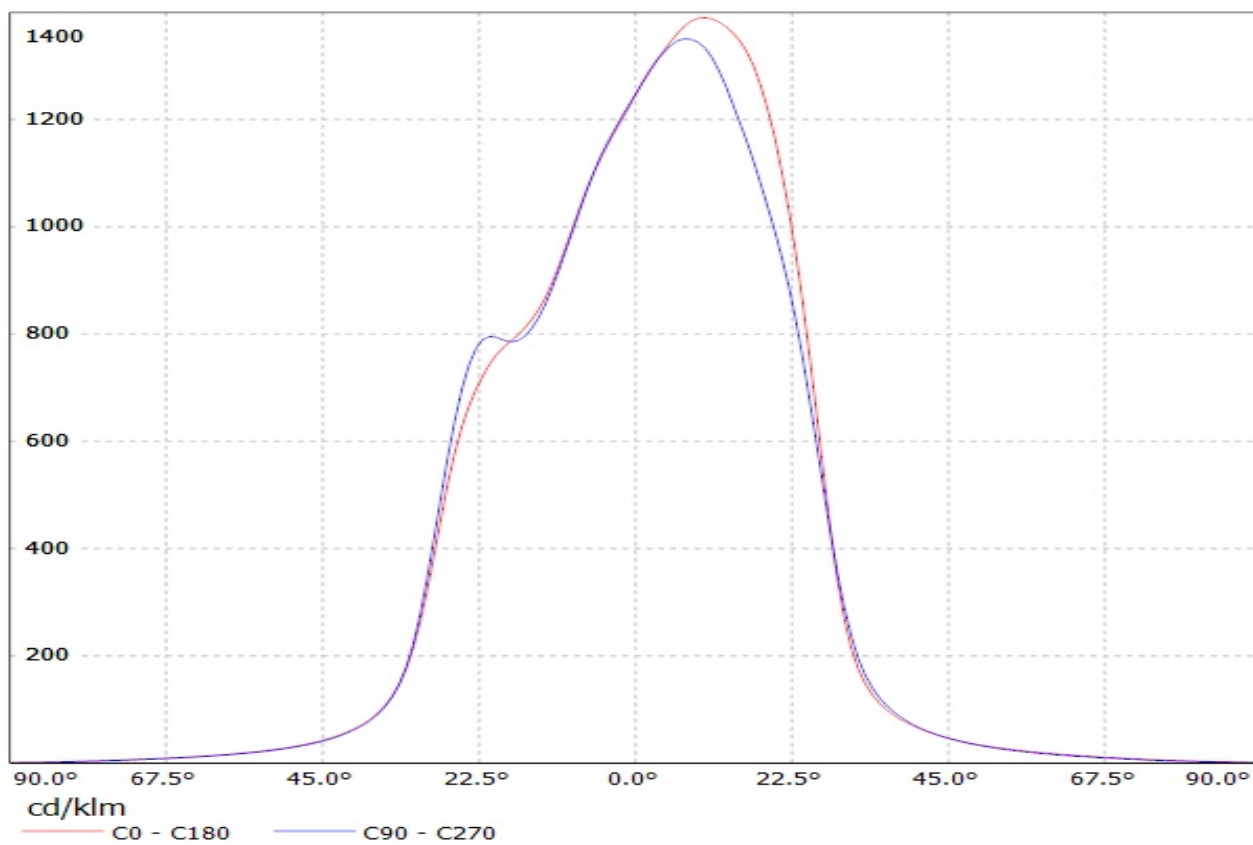


Ledil Oy CA11052_Tina2-XP-O-black Cree XP-E (white) 76lm @ 250mA LOR is 91% / LDC (Linear)

Luminaire: Ledil Oy CA11052_Tina2-XP-O-black Cree XP-E (white) 76lm @ 250mA LOR is 91%
Lamps: 1 x Cree XP-E (white) 76lm @ 250mA

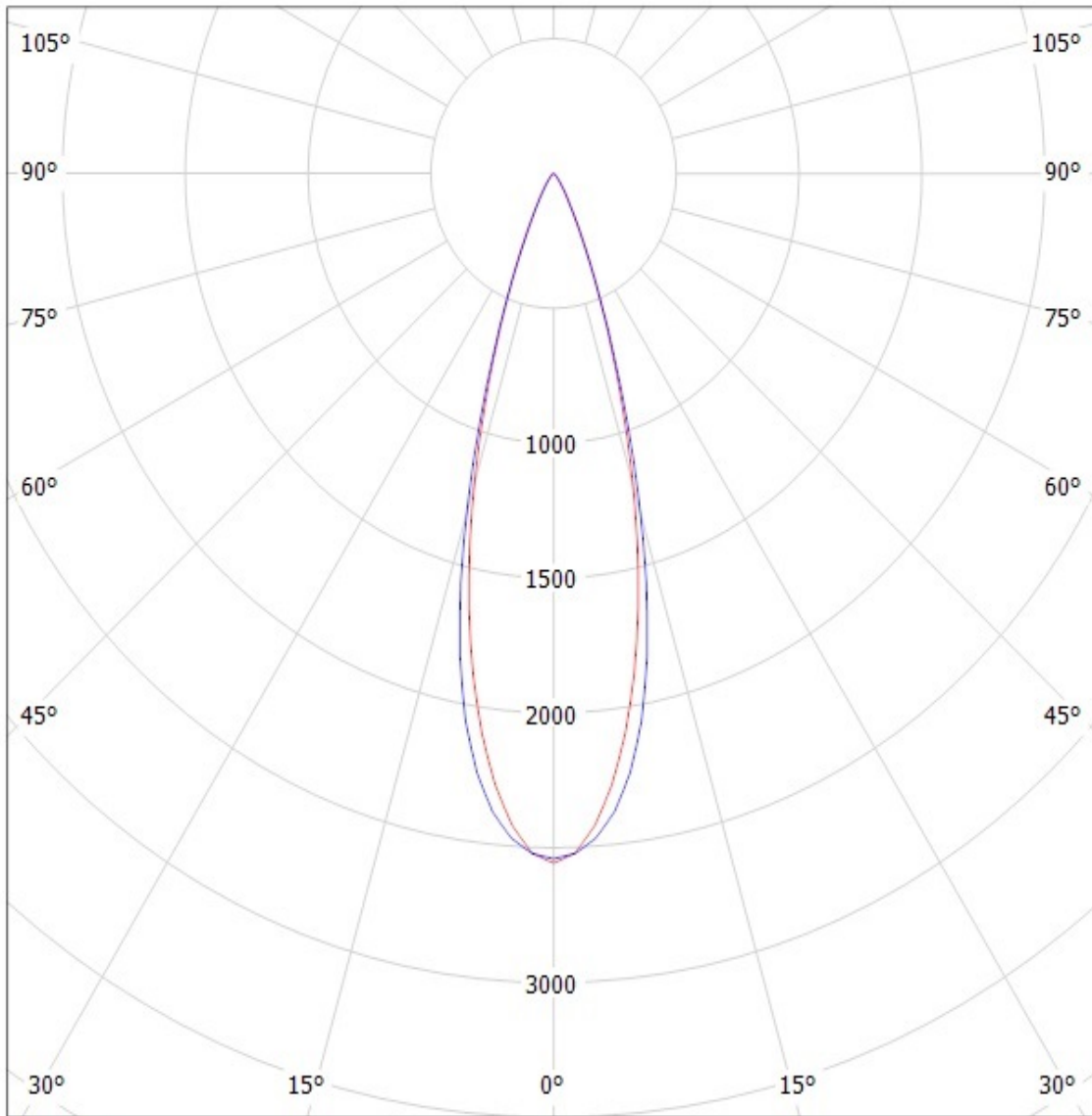


Luminaire: LEDIL OY CA12056_TINA2-W (XP-E) Efficiency=88%
Lamps: 1 x Cree XP-E (78lm @ 250mA)



Ledil Oy CA11017_Tina2-XP-M-black Cree XP-E (white) 76lm @ 250mA LOR is 91% / LDC (Polar)

Luminaire: Ledil Oy CA11017_Tina2-XP-M-black Cree XP-E (white) 76lm @ 250mA LOR is 91%
Lamps: 1 x Cree XP-E (white) 76lm @ 250mA



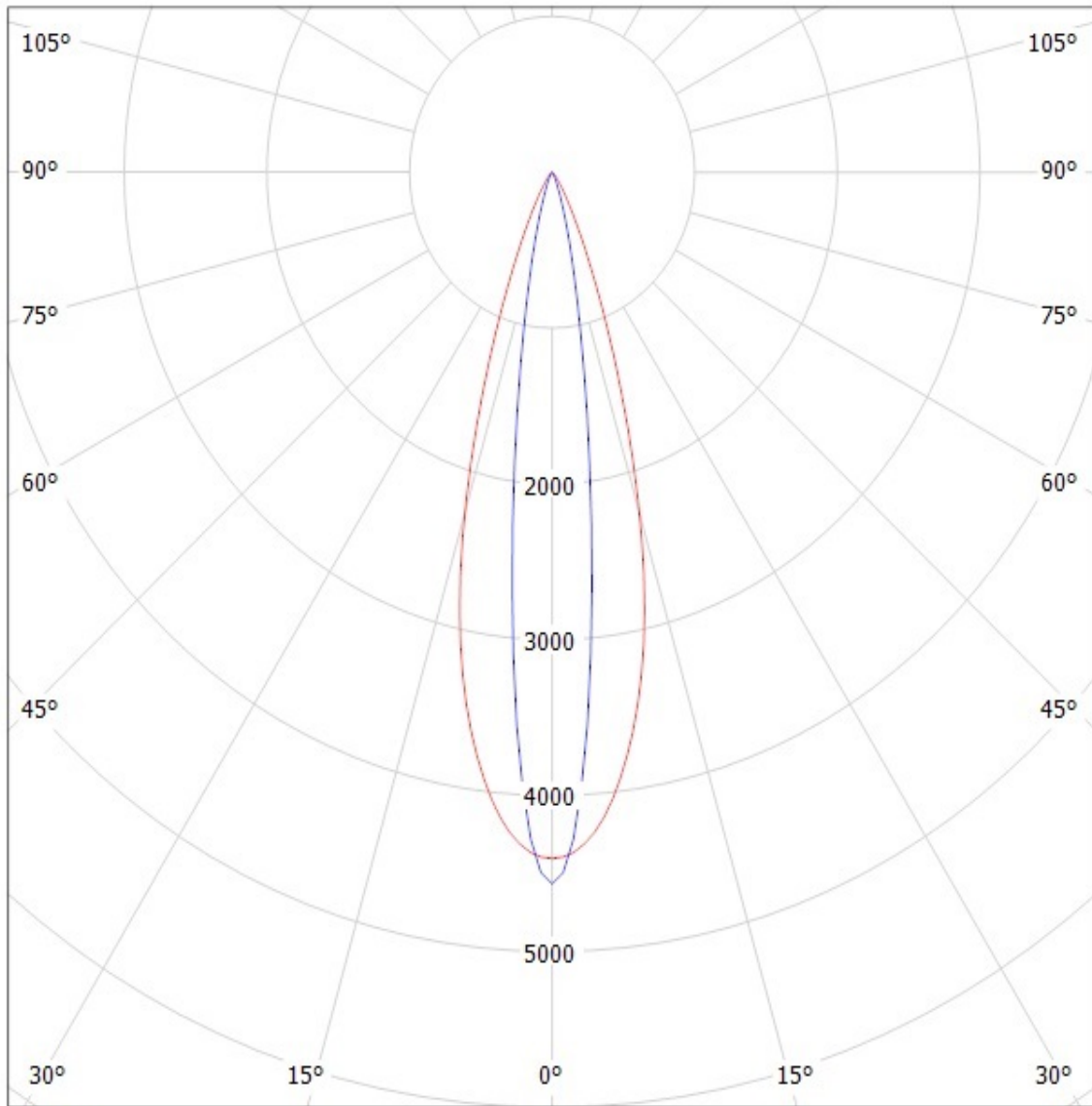
cd/klm

— C0 - C180 — C90 - C270

SIMULATED

Ledil Oy CA11052_Tina2-XP-O-black Cree XP-E (white) 76lm @ 250mA LOR is 91% / LDC (Polar)

Luminaire: Ledil Oy CA11052_Tina2-XP-O-black Cree XP-E (white) 76lm @ 250mA LOR is 91%
Lamps: 1 x Cree XP-E (white) 76lm @ 250mA



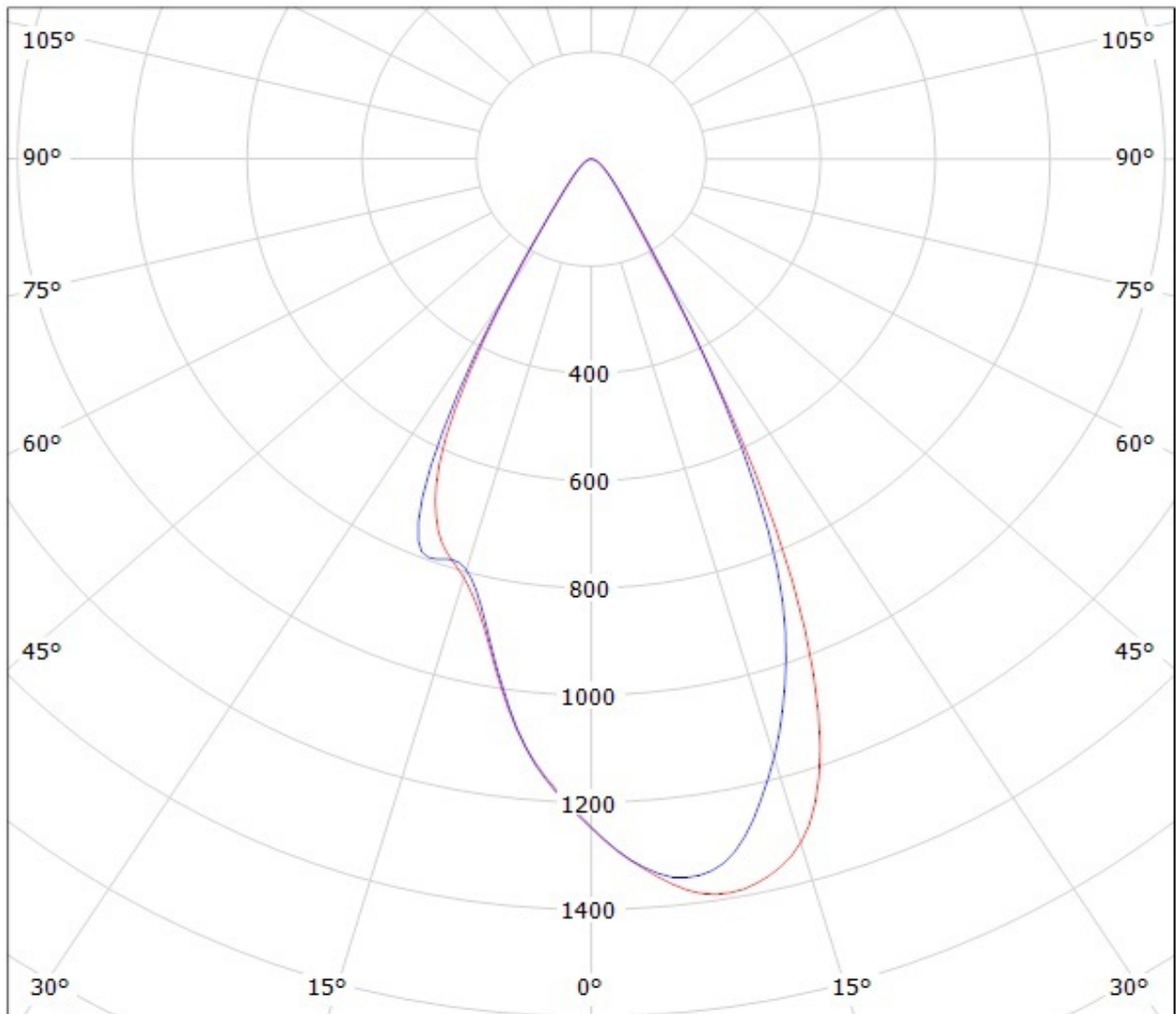
cd/klm

— C0 - C180

— C90 - C270

SIMULATED

Luminaire: LEDIL OY CA12056_TINA2-W (XP-E) Efficiency=88%
Lamps: 1 x Cree XP-E (78lm @ 250mA)



cd/klm

— C0 - C180

— C90 - C270