

PRODUCT SPECIFICATION

Model No.: FYL-3014PGD1A

| Descriptions: |
|--|
| ■ Dice material: InGaN. |
| ■ Emitting Color: Super bright Pure Green. |
| ■ Device Outline: Φ3mm round type. |
| ■ Lens Type: Green diffused. |



| CUSTOMER APPROVED SIGNATURES | APPROVED BY | CHECKED BY | PREPARED BY |
|------------------------------|-------------|------------|-------------|
| | | | |

NINGBO FORYARD OPTOELECTRONICS CO.,LTD.

Add:NO.115 Qixin Road Ningbo Zhejiang China

Zip:315051

Tel: 0086-574-87933652 87927870 87922206

Fax: 0086-574-87927917

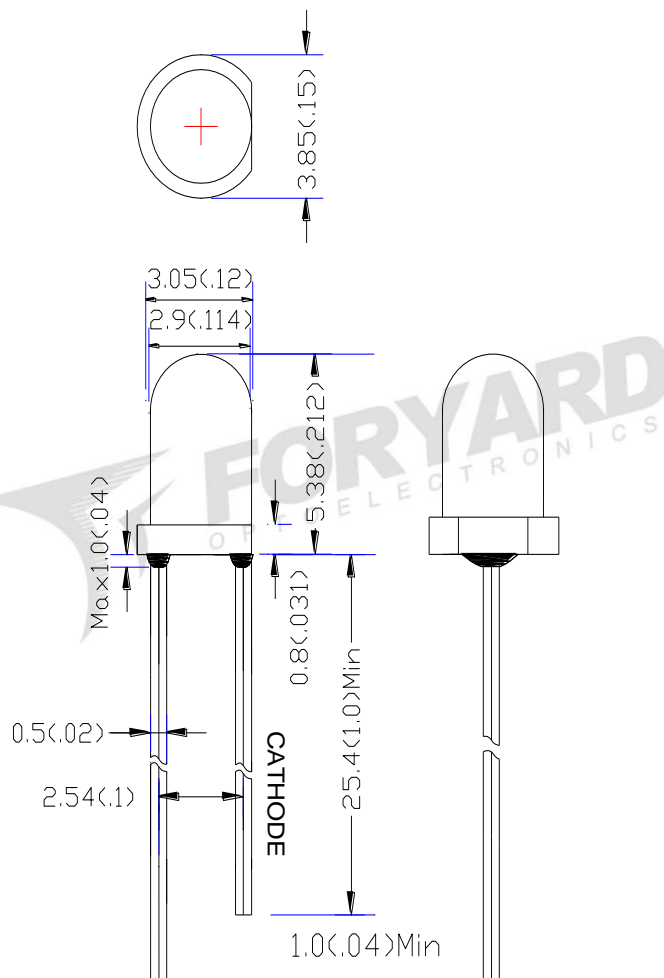
E-mail: Sales@foryard.com (General)

[Http://www.foryard.com](http://www.foryard.com)

■ **Features**

1. Low power consumption.
2. High efficiency.
3. General purpose leads.
4. High intensity.
5. RoHs compliant.

■ **Package configuration**



Notes:

1. All dimensions are millimeters (inches)
2. Tolerance is $\pm 0.25\text{mm}$ (.010") unless otherwise noted.
3. The specifications, characteristics and technical data described in the datasheet are subject to change without prior notice.

■ Absolute maximum ratings($T_a=25\text{ }^\circ\text{C}$)

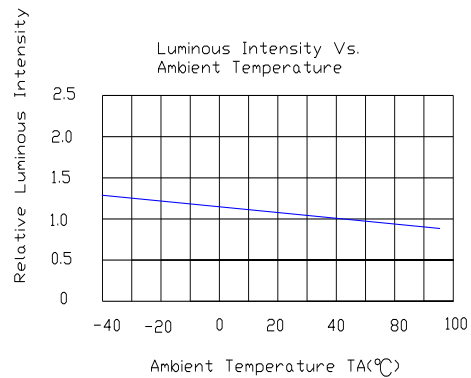
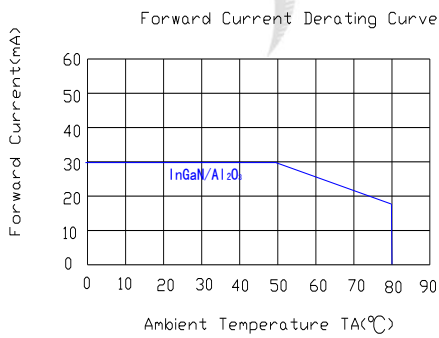
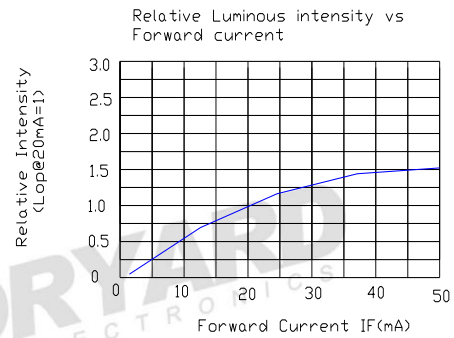
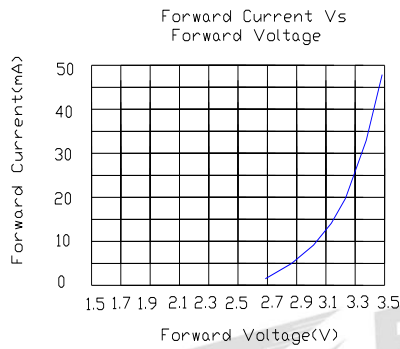
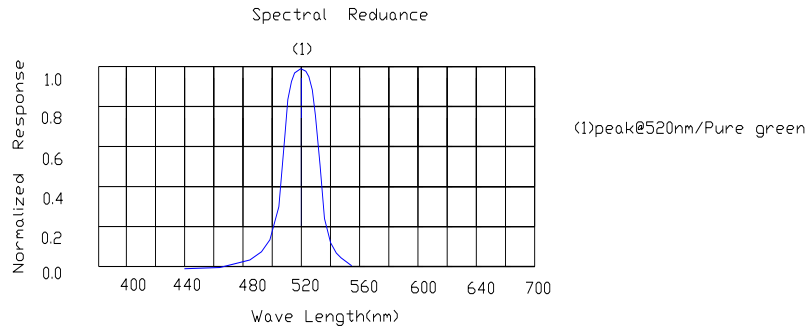
| Parameter | MAX. | Unit |
|---|---|----------------------|
| Power Dissipation | 90 | mW |
| Peak Forward Current (1/10 Duty Cycle, 0.1ms Pulse Width) | 100 | mA |
| Continuous Forward Current | 25 | mA |
| Derating Linear From 50 $^\circ\text{C}$ | 0.4 | mA/ $^\circ\text{C}$ |
| Reverse Voltage | 5 | V |
| Operating Temperature Range | -40 $^\circ\text{C}$ to +85 $^\circ\text{C}$ | |
| Storage Temperature Range | -40 $^\circ\text{C}$ to +100 $^\circ\text{C}$ | |
| Lead Soldering Temperature[4mm(.157") From Body] | 260 $^\circ\text{C}$ for 5 Seconds | |

■ Electrical and optical characteristics($T_a=25\text{ }^\circ\text{C}$)

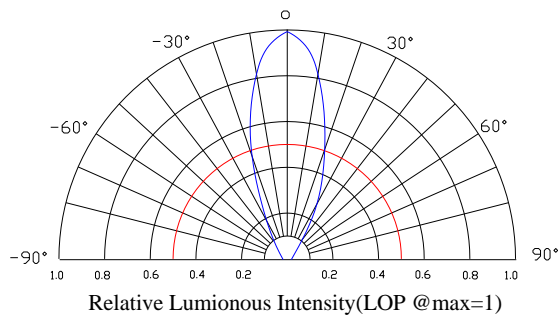
| Parameter | Symbol | Min. | Typ. | Max. | Unit | Test Condition |
|--------------------------|-----------------|------|------|------|---------------|-------------------|
| Luminous Intensity | I_v | 3000 | 4000 | - | mcd | $I_F=20\text{mA}$ |
| Viewing Angle | $2\theta_{1/2}$ | - | 40 | - | Deg | |
| Peak Emission Wavelength | λ_p | - | 520 | - | nm | |
| Dominant Wavelength | λ_d | 517 | 522 | 527 | nm | |
| Spectral Line Half-Width | $\Delta\lambda$ | - | 30 | - | nm | |
| Forward Voltage | V_F | 2.6 | 3.2 | 3.4 | V | |
| Reverse Current | I_R | | | 10 | μA | $V_R=5\text{V}$ |

■ Typical Electrical Characteristics Curves

(25 °c Ambient Temperature Unless Otherwise Noted)

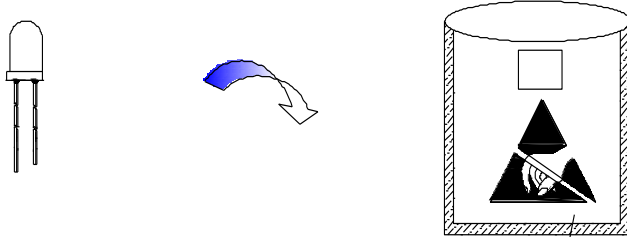


Radiation pattern.

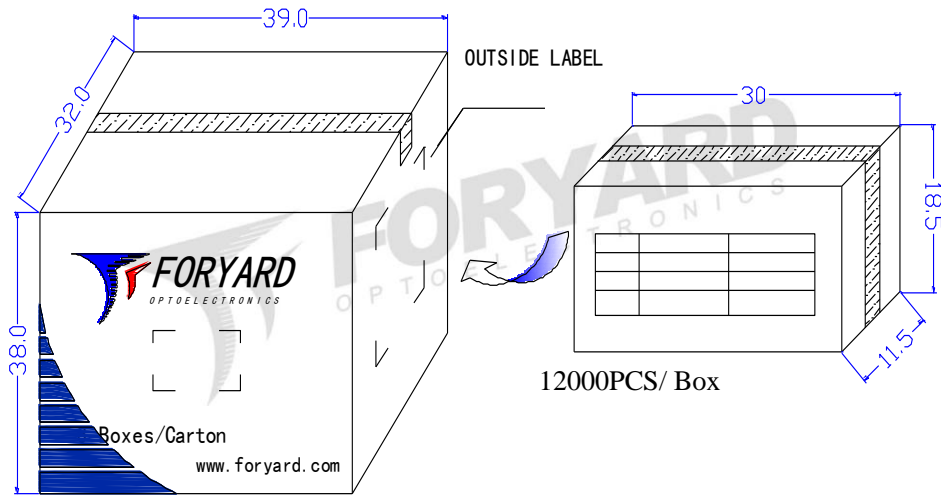
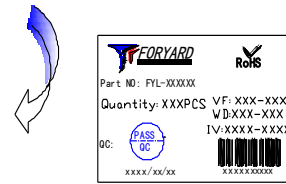


| | |
|------------|---------------|
| Model. No. | FYL-3014PGD1A |
| Rev. | A |

■ LAMP PACKING.



3mm 1000PCS/Polybag



72000PCS/ Carton



OUTSIDE LABEL