

Datasheet

SATADOM-ML

3ME series

- SATA 6Gb/s interface
- iSMART disk health monitoring
- Intelligent error recovery system
- Excellent data transfer speed
- Write protection security
- Zero mechanical interference
- Anti-vibration mechanical design



Introduction

Innodisk SATADOM-ML 3ME is designed as the standard SATA 7 pin connector with SATA interface, and supports SATA III standard (6.0Gb/s) with excellent performance. Regarding of mechanical interference, Innodisk SATADOM-ML 3ME absolutely replaces the traditional hard disk and makes personal computer, in any field, smaller and easier.

Innodisk SATADOM-ML 3ME effectively reduces the booting time of operation system and the power consumption is less than hard disk drive (HDD), and complies with ATA protocol, no additional drives are required, and can be configured as a boot device or data storage device.

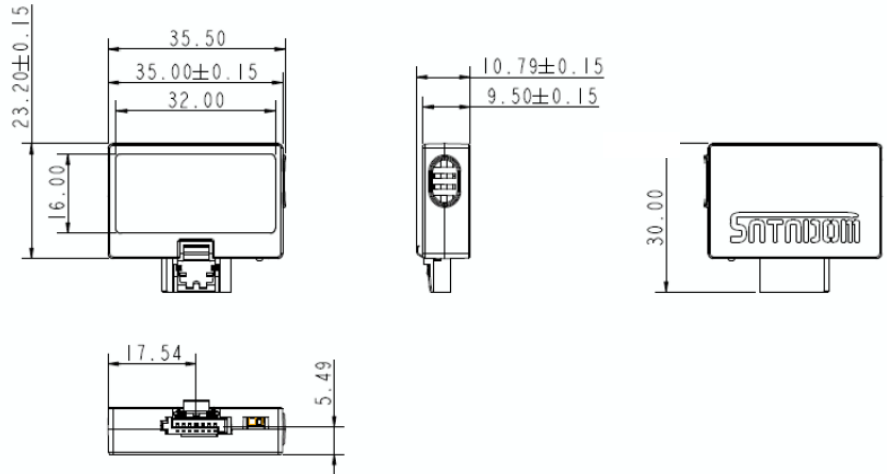
SATADOM-ML

3ME series

Contact us for more information about the SATADOM-ML 3ME.

Innodisk is a service-driven provider of industrial embedded flash storage and Dram products and technologies, with a focus on the cloud computing, industrial/embedded, and aerospace and defense industries.

Diagram



Specifications

| | |
|-------------------------------|---|
| Interface | SATA III |
| Flash Type | MLC |
| P/E cycle | 3,000 |
| Capacity | 16GB~128GB |
| Max. Channels | 2 |
| Sequential R/W (MB/sec, max.) | 460/160 |
| Max. Power Consumption | 2A (5V x 400mA) |
| Thermal Sensor | ST- Optional/ WT- Default |
| Extended DRAM buffer | - |
| H/W Write Protect | √ |
| ATA Security | √ |
| S.M.A.R.T. | √ |
| Dimension (WxLxH) | 35.5 X 30.0 X 10.8 mm |
| Environment | Vibration: 20G @7~2000Hz Shock: 1500G @ 0.5ms Storage Temperature: -55°C ~ +95°C MTBF: 3 million hours |

Headquarters (Taiwan)

9F., No.100, Sec. 1, Xintai 5th Rd.,
Xizhi Dist., New Taipei City,
Taiwan (R.O.C.)
Tel: +886-2-26963000
Email: sales@innodisk.com

Branch Offices:

USA
usasales@innodisk.com
+1-510-770-9421
Europe
eusales@innodisk.com
+31-(0)40-282-1818
Japan
jpsales@innodisk.com
+81-3-6661-9846
China
sales_cn@innodisk.com
+86-755-21673689
www.innodisk.com

© 2012 Innodisk Corporation.
All right reserved. Specifications
are subject to change without
prior notice.

20140127

Ordering Information

| Operation Temp. | 16GB | 32GB | 64GB | 128GB |
|-------------------------------------|----------------------|----------------------|----------------------|----------------------|
| Standard Grade (0°C ~ +70°C) | DESML-16GD06SC1DC(F) | DESML-32GD06SC1DC(F) | DESML-64GD06SC1QC(F) | DESML-A28D06SC1QC(F) |
| Industrial Grade (-40°C ~ +85°C) | DESML-16GD06SW1DC(F) | DESML-32GD06SW1DC(F) | DESML-64GD06SW1QC(F) | DESML-A28D06SW1QC(F) |