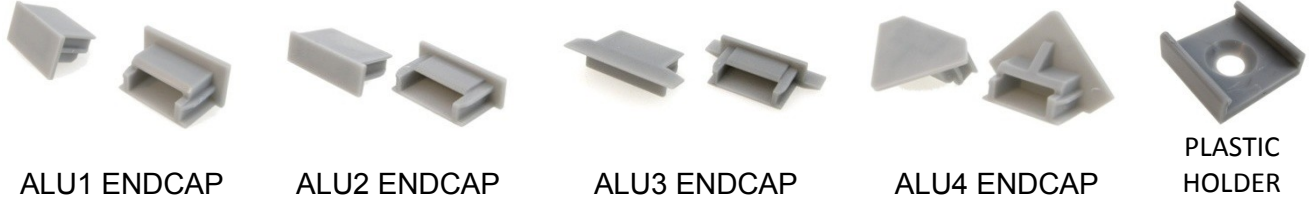




nPROFILE ACCESSORIES



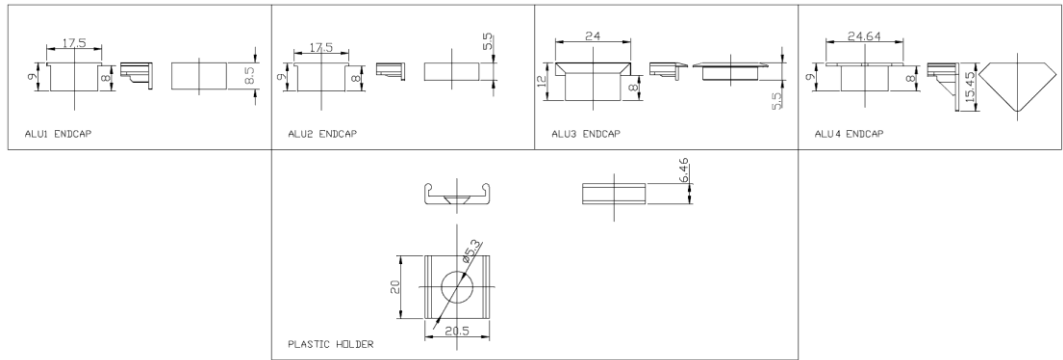
SPECIFICATION

Accessory Type	ALU1 ENDCAP	ALU2 ENDCAP	ALU3 ENDCAP	ALU4 ENDCAP	PLASTIC HOLDER
Dimensions	8,5mm x 17,5mm	5,5mm x 17,5mm	5,5mm x 24mm	17,5mm x 17,5mm	20mm x 20,5mm
Finish	Light ABS gray				
Material	Plastic ABS				

[†] Other available on request

All the parameters and values mentioned in this specification contain only approximate information and can be not precise.

MECHANICAL DIMENSIONS (in mm)



ORDERING CODE

Part NO.	Accessory Type	Finish
NPROFILE-E-D-G0	ALU1 ENDCAP	GRAY ABS
NPROFILE-E-S-G0	ALU2 ENDCAP	GRAY ABS
NPROFILE-E-F-G0	ALU3 ENDCAP	GRAY ABS
NPROFILE-E-A-G0	ALU4 ENDCAP	GRAY ABS
NPROFILE-H-P-G0	PLASTIC HOLDER	GRAY ABS

All the parameters and values mentioned in this specification contain only approximate information and can be not precise.