

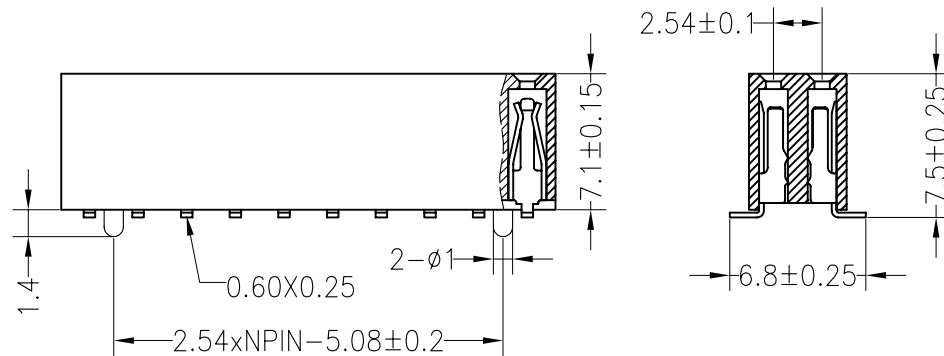
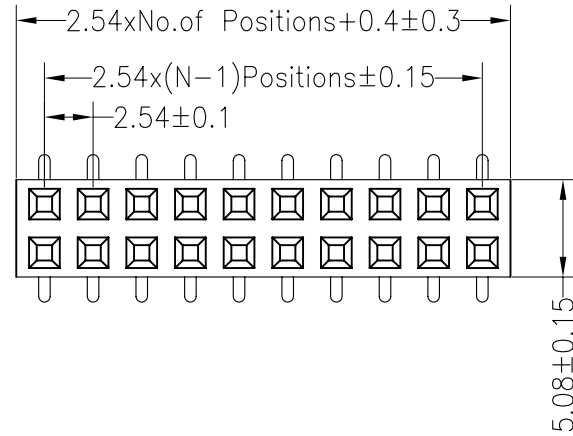
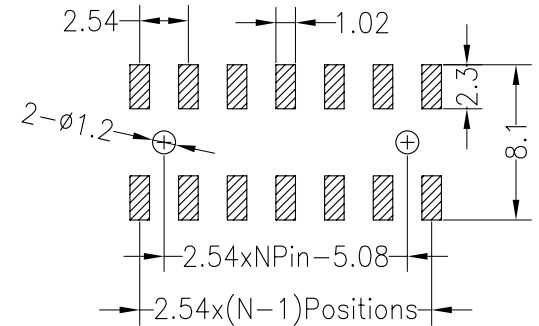


SPECIFICATIONS

Rated Current:3.0AMP
 Contact Resistance:20mΩ Max
 Withstand Voltage:1000V AC/DC
 Insulation Resistance:1000MΩ Min
 Operation Temperature:-40°C to +105°C

Contact Material:Brass
 Contact Plating:Au or Sn Over Ni
 Insulator Material:Polyester(UL94V-0)
 Standard: PA6T
 Max.Processing Temp: 230°C for 30-60 seconds
 (260°C for 10 seconds)

Recommended P.C.B Layout(Top Side)
 (PCB BOARD TOLERANCE±0.05)



				OPERATION		DRAW	BEN	12.09.25	SCALE	FIT	Conntherm		
				X.X	±0.30				UNIT	mm			
				X.XX	±0.20	CHECK		SIZE	A4	PART NO.			
				X.XXX	±0.10	APPROVE		SHEET	1/1				
A0	2012.04.18	NEW DRAWING		Angle	±3°			PROJ.	◆ ▽	TITLE:		2.54PF H7.1mm 2xNpin SMT	
REV	DATE	MODIFICATION DESCRIPTION		DIM	TOL								