



TBXS500X

250V 16A 2.5mm²

Poles: 2P&3P

Pitch: 5mm&10mm

Pin Dimension: 0.8X1.0mm

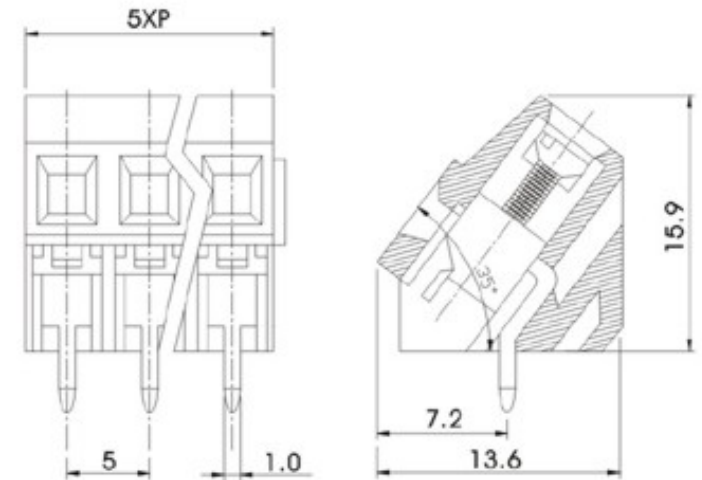
Materials

Housing: Polyamide 6.6

Solder Pin: Brass,0.8t,Tin Plated.

Wire Cage: Steel,0.7t,Zinc Plated.

Screw: M2.5,Steel,Zinc Plated.



Maritex