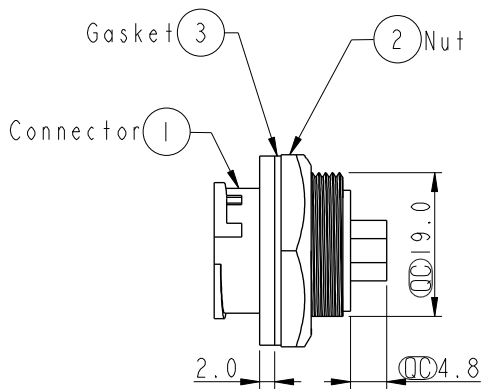
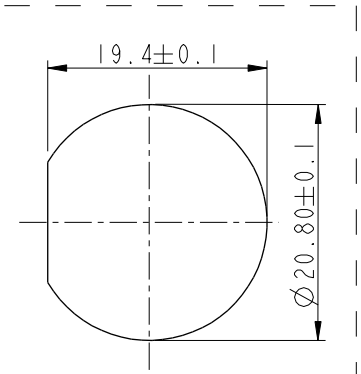
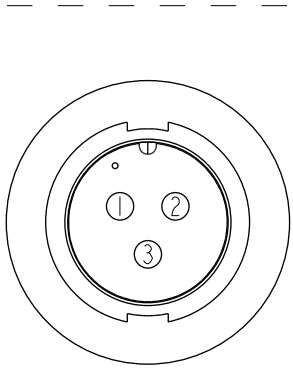
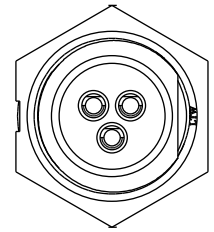
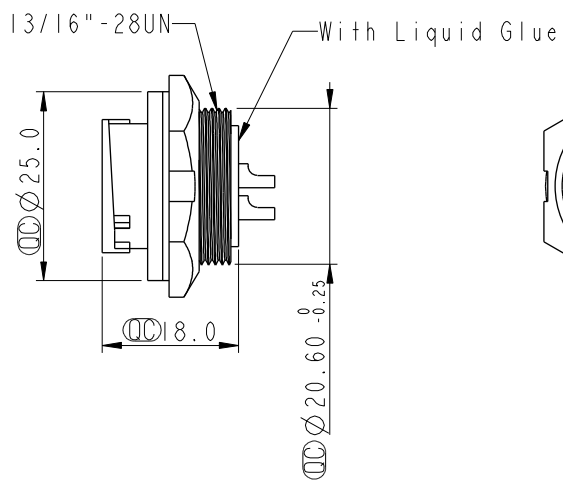
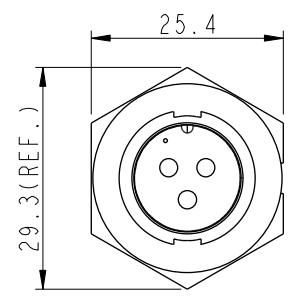


REV.	ECN NO.	DATE	SIGN	DESCRIPTION
B	LEN-8B0230	2008/10/03	Shin	Add Note

ALTW  
DCC. DEPT.  
CONFIDENTIAL  
2012-05-10  
ISSUED

ALTW  
CONFIDENTIAL  
2012-04-10  
R&D DEPT.



- Note:
- \*  $\varnothing$  Important Dimension.
  - \* Waterproof Rate: IP67
  - \* Housing: Black, Nylon+GF
  - \* Pin: Copper Alloy, Gold Plated.
  - \* Nut: Black, Nylon+GF
  - \* Gasket: Black, EPDM
  - $\triangle B$  \* Use with waterproof cap or dust cap  
Maximum Panel Thickness: 3.0mm
  - $\triangle B$  \* Use without waterproof cap or dust cap  
Maximum Panel Thickness: 4.0mm

UNIT:mm		
TOLERANCE	.X ±0.25	
	.XX ±0.1	
	.XXX ±0.05	
ANGLES	±1°	

TITLE Middle, Panel Lock 3Pin M Conn M Pin			
SCALE 1:1	SIZE A4	SHEET 1 OF 1	
REV. B	WC-REV. A.3	$\varnothing$ : Inspection item	

**Amphenol LTW**  
安費諾亮泰企業股份有限公司

ITEM NO. CC-03RMMS-LC7001	DRAWN BY SamChang	DATE 2012-04-10
DWG NO. CC-03RMMS-LC7001	CHECKED BY Jeffrey	DATE 2012-05-10
CUSTOMER ALTW	APPROVED BY Lion	DATE 2012-05-10

THIS DOCUMENT IS SUBJECT TO CHANGE WITHOUT NOTICE. IT IS CONFIDENTIAL AND A PROPERTY OF AMPHENOL LTW. DISCLOSURE TO THIRD PARTY HAS TO BE AUTHORIZED BY AMPHENOL LTW.