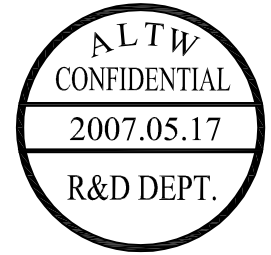
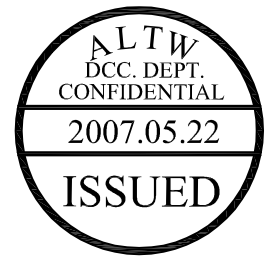
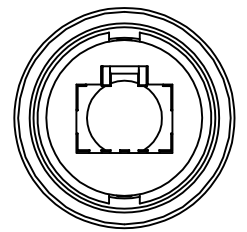
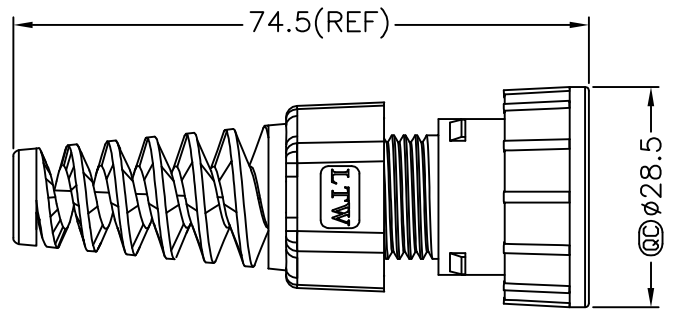
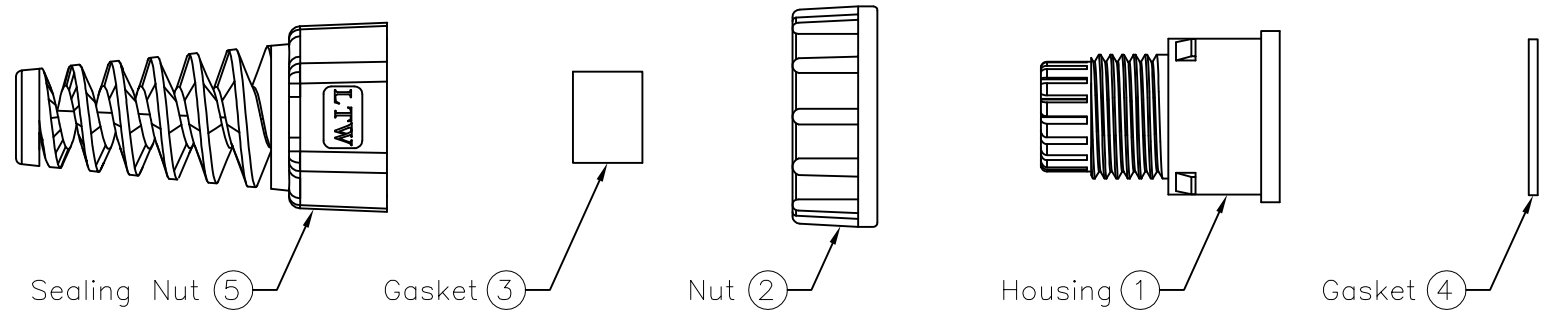


REV.	ECN NO.	DATE	SIGN	DESCRIPTION

F
E
D
C
B
A

THIS DOCUMENT IS SUBJECT TO CHANGE WITHOUT NOTICE. IT IS CONFIDENTIAL AND A PROPERTY OF Amphenol LTW. DISCLOSURE TO THIRD PARTY HAS TO BE AUTHORIZED BY Amphenol LTW.



- Note:
- * @ Important Dimension.
 - * Waterproof Rate: IP67
 - * Housing: Black, Nylon
 - * Nut: Black, Nylon+GF
 - * Gasket: Black, EPDM
 - * Sealing Nut: Black, Nylon
 - * Seals For Cable OD $\phi 4.5\text{mm} \sim \phi 6.0\text{mm}$

UNIT:mm	
TOLERANCE	
.X	± 0.25
.XX	± 0.1
.XXX	± 0.05
ANGLES	$\pm 1^\circ$

TITLE		RJ45 Assembly Lock 00 M Conn M Pin	
SCALE	Free	SHEET	1 OF 1
REV.	A	SIZE	A4
@ :Inspection Item			

Amphenol LTW
安費諾亮泰企業股份有限公司

ITEM NO	RJ-00AMMA-LL7001
DWG NO	RJ-00AMMA-LL7001
CUSTOMER	ALTW

DRAWN BY	Rommel A. Vergara
CHECKED BY	Alan MJ Sundo
APPROVED BY	Win

DATE	2007/05/17
DATE	2007/05/17
DATE	2007/05/17