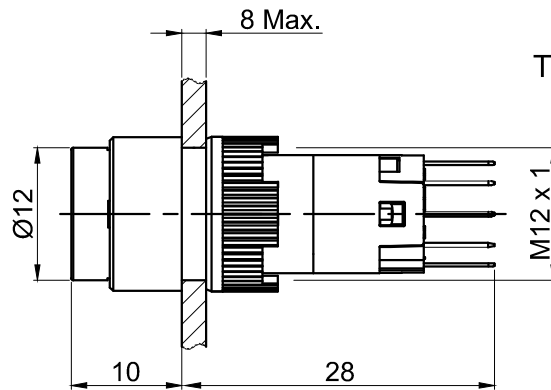
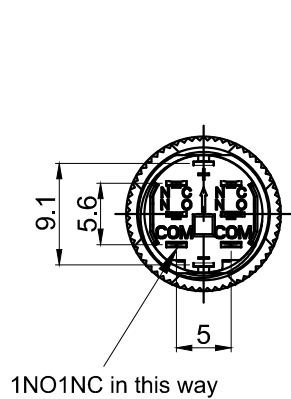
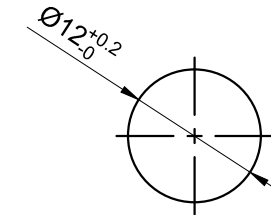
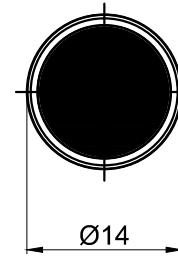


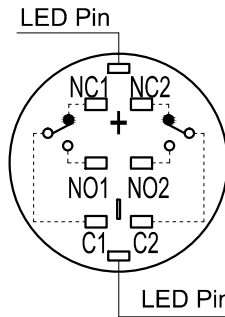
5	6	7
FOR 客户名称	APPROVED 客户确认签字	ATTN 销售负责人



The shaded part is illuminated



PANEL CUTOUT  
MAX.PANEL THICKNESS  
8 mm



Contact Composition

Part Number: LAS2Y-□■/△/▲/◎

□	Contact structure
11	1NO1NC
22	2NO2NC
■	Operation mode
No Letter	Momentary
Z	Latching

△	Cap or Lamp Color	▲	Lamp Voltage
R	Red	6V	AC/DC 6V
G	Green	12V	AC/DC 12V
Y	Yellow	24V	AC/DC 24V
B	Blue	110V	AC/DC 110V (External resistor)
W	White	220V	AC/DC 220V (External resistor)
Other voltage can be made to order			

◎	IP class
No Letter	IP40
FP	IP67

**SPECIFICATIONS:**

- Switch Rating: AC220V/0.5A, DC110V/0.1A.
- Mechanical Life: Momentary ≥200,000cycles  
Latching ≥100,000cycles.
- Electrical Life: ≥50,000cycles.
- Contact Resistance: ≤50mΩ.
- Insulation Resistance: ≥100MΩ.
- Dielectric Strength:  
Between contact and lamp terminals: AC 1,500V, RMS 50Hz, 1min;  
Between terminals of the same pole: AC 1,500V, RMS 50Hz, 1min;  
Between terminals of different pole: AC 2,000V, RMS 50Hz, 1min.
- Operating Temperature: -25°C ~ +55°C (No Freezing).
- Operating Force: About 1.4N(1NO1NC), About 2N(2NO2NC).
- Terminal Type: Pin Terminal(1.8 x 0.4mm), LED Pin(1.8 x 0.3mm).
- IP Class: IP40, IP67 (with a seal cover).

**MATERIALS:**

- Contact: Silver alloy.
- Button: PC.
- Body: PC.
- Base: PA.

BRAND 品牌 <b>ONPOW</b>	红波按钮制造有限公司 ONPOW PUSH BUTTON MANUFACTURE CO.,LTD.		
	USED 用途	APPD 审核	CH 2020/04/28
THESE DRAWINGS AND SPECIFICATIONS ARE THE PROPERTY OF ONPOW PUSH BUTTON MANUFACTURE CO.,LTD. AND SHALL NOT BE REPRODUCED COPIED OR USED IN ANY MANNER WITHOUT THE PRIOR WRITTEN CONSENT OF ONPOW PUSH BUTTON MANUFACTURE CO.,LTD.	FINISH 处理	CHKD 校对	NCH 2020/04/28
	SCALE 比例	UNIT 单位	DR. 制图
	1.4 / 1	mm	ZPD 2020/04/28
DIMENSIONS	TOLERANCE	TITLE 名称	
0.00 TO 18.00mm	±0.43mm	LAS2 Series Pushbutton Switches	
18.01 TO 30.00mm	±0.52mm	DWG NO.	SIZE 图纸
30.01 TO 50.00mm	±0.62mm	图号	
50.01 TO 80.00mm	±0.74mm	LAS2Y带灯	A4
FILE NAME 档案名称	SHEET 张	1 / 1	REV. 更改
LAS2Y.DWG	1 / 1	1	1