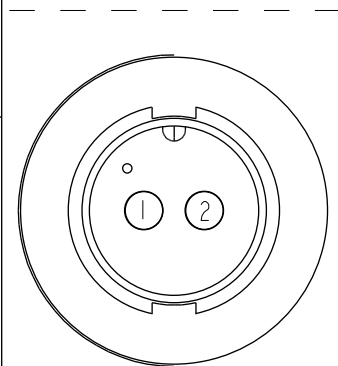
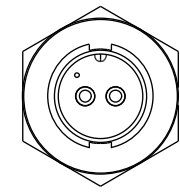
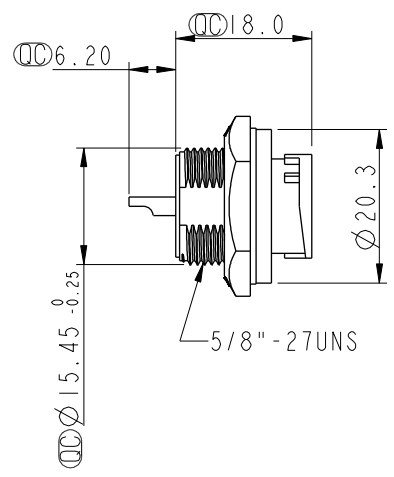
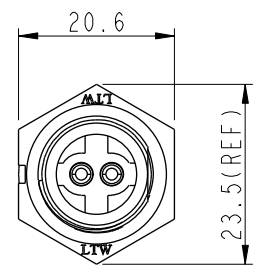


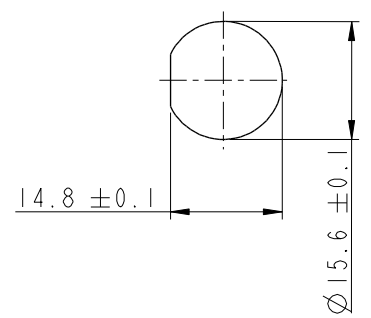
REV.	ECN NO.	DATE	SIGN	DESCRIPTION
B	LEN-8B0542	2008/09/22	Shin	Add Note

**ALTW**  
CONFIDENTIAL  
2012-03-14  
R&D DEPT.

**ALTW**  
DCC. DEPT.  
CONFIDENTIAL  
2012-03-20  
ISSUED

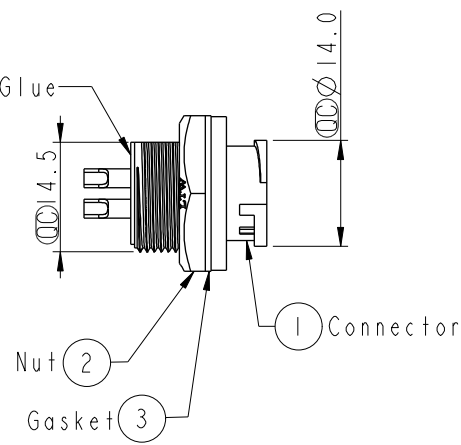


Pin Assignments  
Front View



Recommended Panel Cut-Out

With Liquid Glue



Note:

- \* (CC) Important Dimension To Check.
- \* Waterproof Rate : IP67
- \* Housing: Nylon+GF, Black
- \* Male Pin: Copper Alloy, Gold Plated
- \* Gasket: EPDM, Black
- \* Nut: Black, Nylon+GF
- △\* Use with waterproof cap or dust cap  
Panel Thickness Max: 4.0mm
- △\* Use without waterproof cap or dust cap  
Panel Thickness Max: 5.0mm

UNIT:mm		
TOLERANCE		
.X	±0.25	
.XX	±0.1	
.XXX	±0.05	
ANGLES	±1°	

TITLE Standard, Rear Lock 2P M Conn M Pin			
SCALE 1:1	SIZE A4	SHEET 1 OF 1	
REV. B	WC-REV. A.3	(CC): Inspection item	

**Amphenol LTW**  
安費諾亮泰企業股份有限公司

ITEM NO. BB-02RMMS-LC7001	DRAWN BY SamChang	DATE 2012-03-14
DWG NO. BB-02RMMS-LC7001	CHECKED BY Jeffrey	DATE 2012-03-20
CUSTOMER ALTW	APPROVED BY Kevin	DATE 2012-03-20

THIS DOCUMENT IS SUBJECT TO CHANGE WITHOUT NOTICE. IT IS CONFIDENTIAL AND A PROPERTY OF AMPHENOL LTW. DISCLOSURE TO THIRD PARTY HAS TO BE AUTHORIZED BY AMPHENOL LTW.