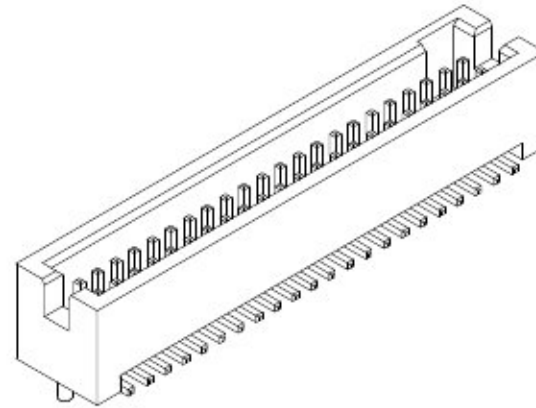
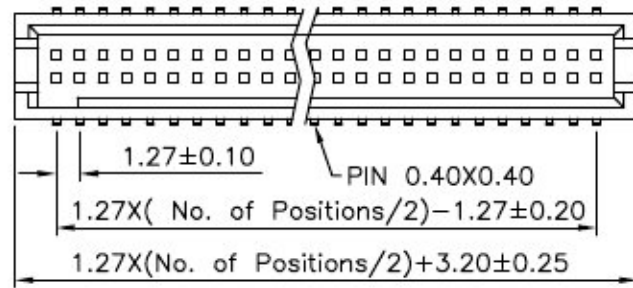


REV.	SPECIFICATION	ECN NO.	APPD.



**Material:**

Housing: High Temperature housing UL94V-0.

Contact: Copper Alloy.

**Electrical Characteristics:**

Current Rating: 1AMP.

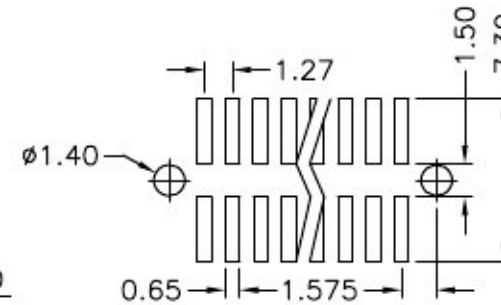
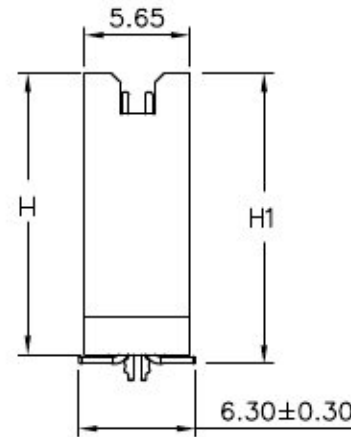
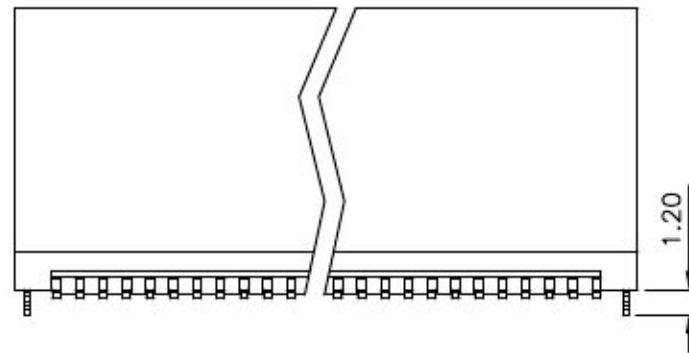
Dielectric Withstanding Voltage: 300V AC/DC For 1 minute.

Insulator Resistance: 1000MΩ min.

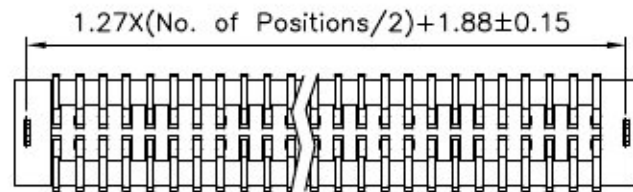
Contact Resistance: 20mΩ max.

Operating Temperature: -40°C ~ +105°C.

**\*RoHS Compliant**



P.C.Board Layout



Height Option	
H	H1
9.0	9.5
9.4	9.9
9.6	10.1
10.2	10.7
10.4	10.9
10.7	11.2
11.0	11.5
11.2	11.7
11.5	12.0
12.2	12.7
13.5	14.0
14.1	14.6
15.2	15.7
15.6	16.1
17.3	17.8
17.6	18.1
18.6	19.1
18.9	19.4

2216-A XX C 00 D L H U  
 Series No. of Pin Count G: Gold Plated C: Selective Gold Plated 00: G/F D: Surface mount \*L: With Board Lock H: Housing Height U: Tube Package

Tolerances	Drawn No.	2216D01023
x = ±0.25	Projection	
.x = ±0.20	Unit	mm
.xx = ±0.15	Scale	1:1
	Drawn By	Liling 12/20'07

Title: 2216 SERIES  
 1.27 BOX HEADER  
 DUL ROWS SMT TYPE  
 W/POST

<b>OUPIIN</b>			
OUPIIN ELECTRONIC(KUNSHAN) CO., LTD.			
P/N: 2216-AXXGOODL/HU			
SHEET	1/1	Ver.No.	A2