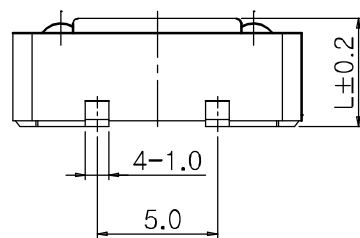
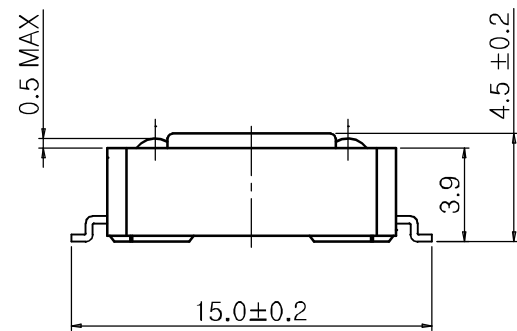
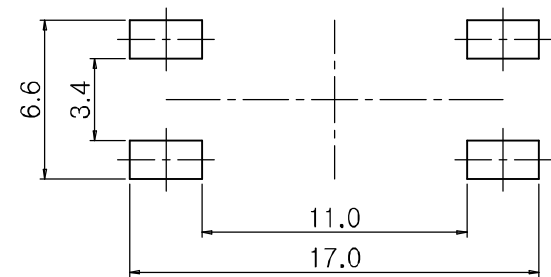
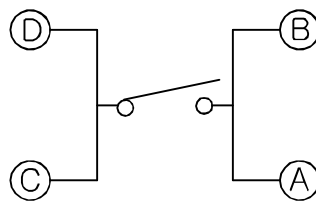
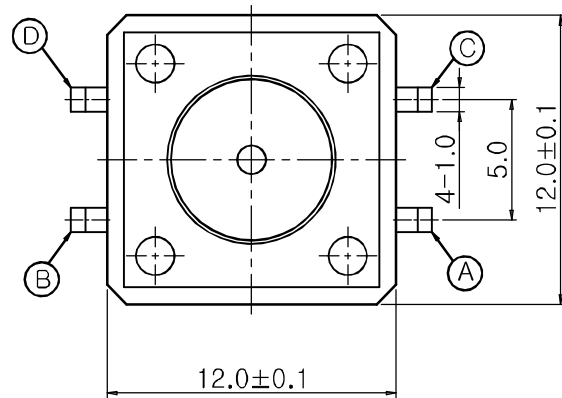


CIRCUIT DIAGRAM

PCB DIMENSION



NOTE

1. RATING : DC 12V 50mA
2. OPERATING FORCE : 250±50gf
3. TRAVEL : 0.25<sup>+0.2</sup><sub>-0.1</sub> mm
4. CONTACT RESISTANCE : 100mΩ MAX
5. OPERATING LIFE : 100,000cycles
6. GENERAL TOLERANCE : ±0.3
7. L : 4.5mm

PART NO		PART NAME		Q'TY	MATERIAL	STANDARD	DISPOSITION	REMARKS
△					TRIGON- OMETRY	UNIT SCALE 1 / 1	<b>TACT SWITCHES</b>  MODEL <b>INT-1103S45B</b>	
△				APPD	CHKD	DSGD		
△				k s h	p y w	yong woon. park		
△								
NO		CORRECTION		15.10.25	15.10.24	15.10.24		