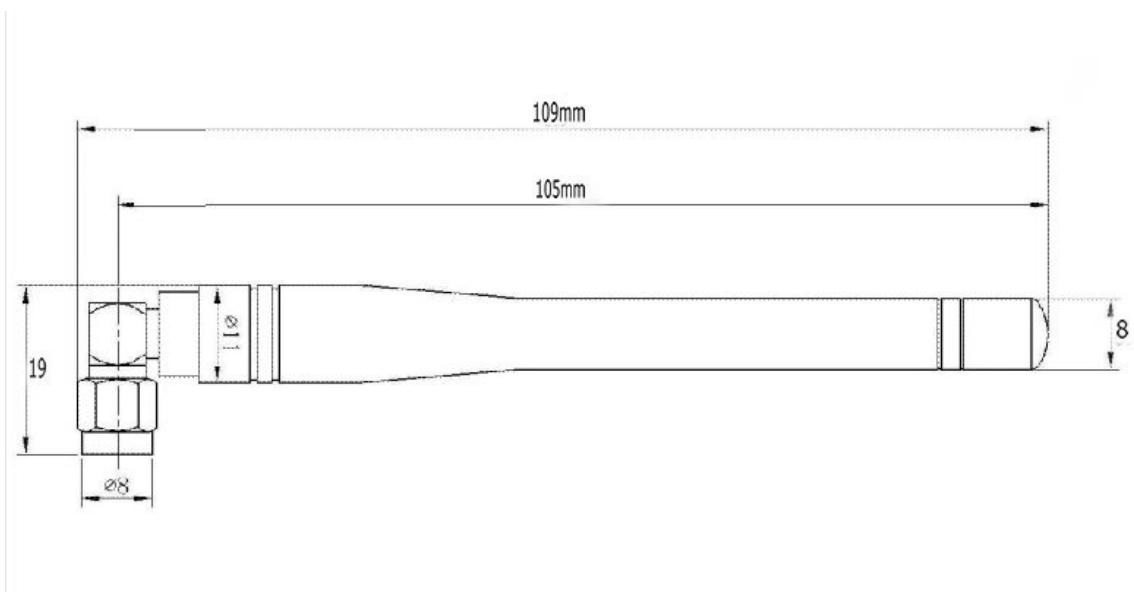


# SPECIFICATION

## 1、 PRODUCT PICTURE



## 2、SPECIFICATIONS

Item	Specifications	
Model Number	BLU-ANT01TFC2R	
Antenna	Frequency Range	2400-2483MHz
	Polarization	Linear
	Gain	2dBi (Zenith)
	V.S.W.R (min)	<2.5
	Impedance	50 Ω
	Size(mm)	8*109mm
	Connector	SMA Male
	Weight(g)	12
Environmental	Operating Temperature	-40°C~+85°C
	Vibration	10 to 55Hz with 1.5mm amplitude 2hours
	Environmentally Friendly	ROHS Compliant

## 3. STATIONARY WAVE PATTERN (V.S.W.R)

