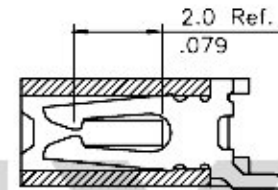
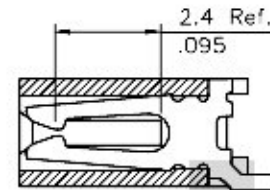


A-A SEC.

B-B SEC.

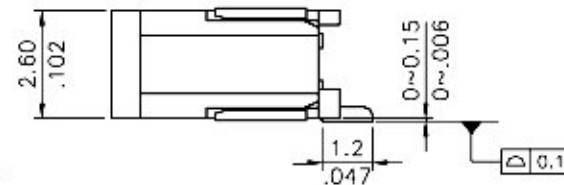
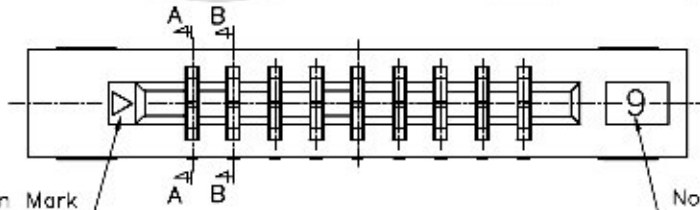
(Available in 4 through 8 circuits)



A-A SEC.

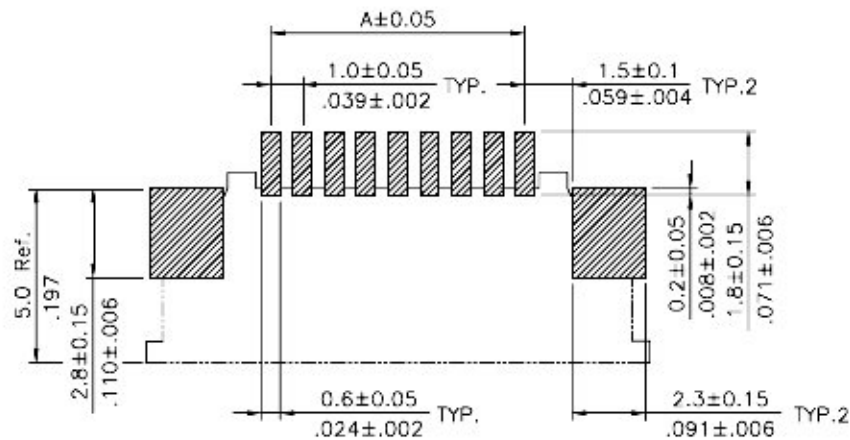
B-B SEC.

(Available in 9 through 32 circuits)

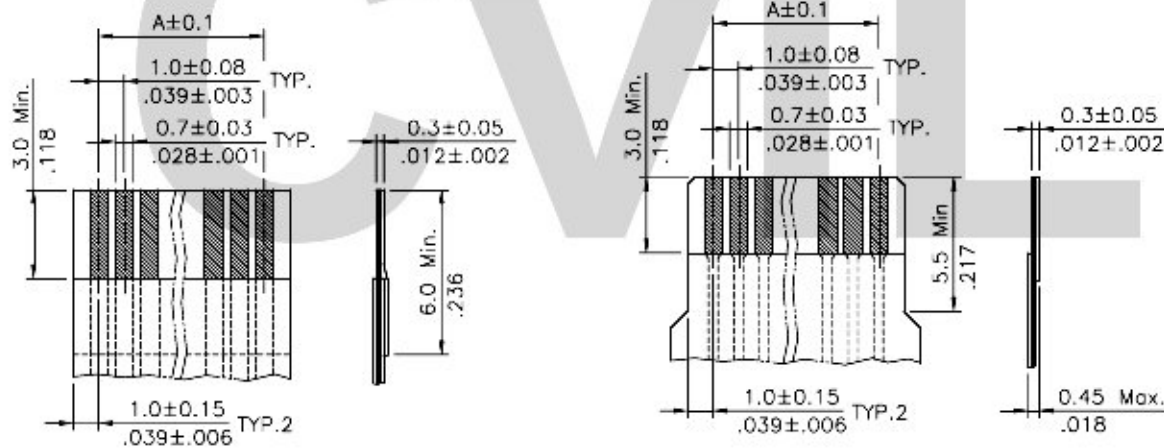


RoHS Compliant

4	CLARK	04/21-06	ECN06140		DATE	UNIT: mm / inch	TITLE: 1.00mm(.039") LIF FPC/FFC SURFACE MOUNT CONNECTOR	瀚荃股份有限公司 CviLux Corporation						
3	Sandy	4/22/05	ECN05133		DRAWN BY:	Sandy	05/15-06				TOLERANCE UNLESS OTHERWISE SPECIFIED	MATERIAL:		
2	Sandy	12/16/04	ECN04166		ENGINEER:	Eisley	05/19-06	.X ± 0.15/.006	.X' ± 1'	DRAWING NO.	CF0801SJ	PART NO.	CF08**1H2*0	
5	Sandy	5/15/06	ECN06133/ECR06037-0		CHECKED BY:	Alex	05/19-06	.XX ± 0.10/.004	.X' ±	FINISH:	SCALE	5 / 1	SHEET	1 OF 2
SYM	NAME	DATE	REVISIONS		APPROVED BY:	Alex	05/19-06	.XXX ± 0.05/.002	.XX' ±					



Sold Pad Pattern



Accommodated FFC

Accommodated FPC

Material :

- * Body : Glass Filled Nylon 6T UL 94V-0
- * Contact : Phosphor Bronze
- △ * Fixed tab : Brass

Ordering Code

CF08 ** 1 H 2 * 0
 ① ② ③ ④ ⑤ ⑥ ⑦

- ① Series No.
- ② No. of Circuits
- ③ Plating code:
1 = Tin plated over Nickel
- ④ Contact style: H = Side entry
- ⑤ Color: 2 = Brown
- ⑥ Packing options: R = Tape & Reel
T = Tube packing
- ⑦ Other options: 0 = Standard

A = 1.00 * No. of Spaces

B = A + 8.0

△△ C = A + 2.1

* Available in 4 through 32 circuits

RoHS Compliant

△4	CLARK	04/21-06	ECN06140		DATE	UNIT: mm / inch	TITLE: 1.00mm(.039") LIF FPC/FFC SURFACE MOUNT CONNECTOR	 瀚荃股份有限公司 CviLux Corporation	
△3	Sandy	4/22/05	ECN05133		DRAWN BY: Sandy	05/15-06	TOLERANCE UNLESS OTHERWISE SPECIFIED		MATERIAL:
△2	Sandy	2/16/04	ECN04466		ENGINEER: EisleY	05/19-06	.X ± 0.15/.006 X' ± 1'	FINISH:	
△5	Sandy	5/15/06	ECN06133/ECR06037-0		CHECKED BY: Alex	05/19-06	.XX ± 0.10/.004 X' ±		
SYM	NAME	DATE	REVISIONS		APPROVED BY: Alex	05/19-06	.XXX ± 0.05/.002 XX' ±		
								DRAWING NO. CF0801SJ	PART NO. CF08**1H2*0
								SCALE 5 / 1	SHEET 2 OF 2