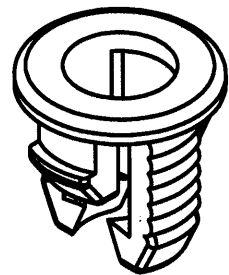
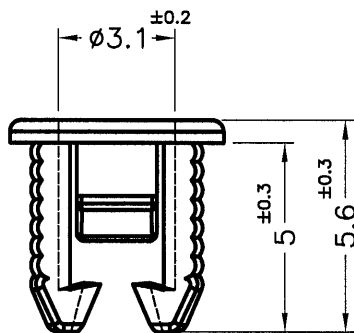
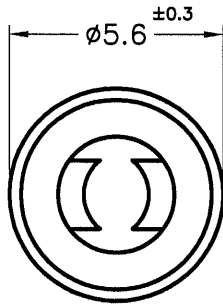


REVISIONS			
REV	DESCRIPTION	DATE	BY



MOUNTING HOLE $\phi 4.5$
THICKNESS 0.8~1.2mm

PART NO.	MATERIAL	COLOR
LED3-1	NYLON 66 UL94V-2	BLACK
LED3-1V0	NYLON 66 UL94V-0	
LED3-1(R)	NYLON 66 UL94V-2	RED

NOTE: 1. SHRINKING IS NORMAL STATUS.
內縮為正常現象。
2. MADE OF EQUIVALENT MATERIAL.
均可使用同等材質。



<p>康揚企業股份有限公司 KANG YANG HARDWARE ENTERPRISE CO., LTD. 康揚塑膠(東莞)有限公司 KANG YANG PLASTIC(DONG GUAN) CO., LTD. 康哲電腦配件(吳江)有限公司 KANG CHE COMPUTER COMPONENTS(WUJIANG) CO., LTD.</p>				TITLE	LED HOLDER	SPEC. DWG.	
				MATERIAL	SEE ABOVE	DATE	2002.05.03
				FINISH		DRAWN	SCOTT
				COLOR	SEE ABOVE	CHECK	
PART NUMBER	SEE ABOVE	DRAWING NUMBER	LED3-1H	UNLESS OTHERWISE SPECIFIED TOLERANCE	SEE ABOVE	APPROVED	
SIZE	A4	SCALE	5:1	UNIT	mm	REV	B