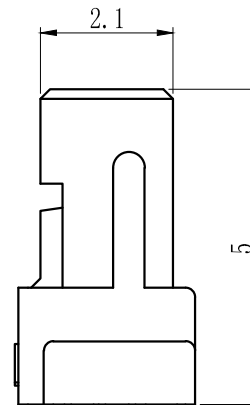
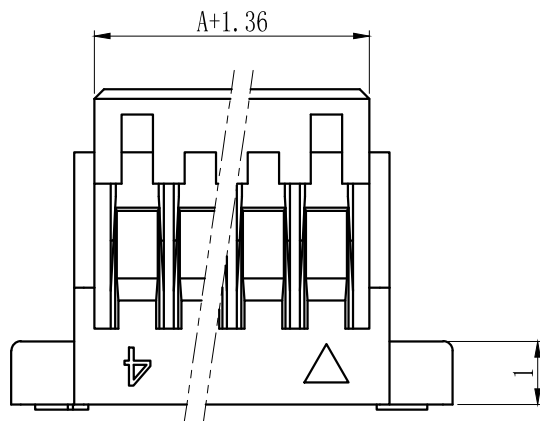


15 14 13 12 11 10 9 8 7 6 5 4 3 2 1

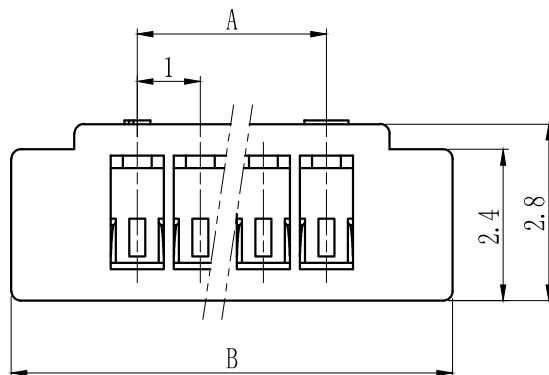
REV	DESCRIPTION	DATE
A/0	Original Version	E
A/1	Revised Version	



Poles	Dimensions mm	
	A	B
2	1.0	5.0
3	2.0	6.0
4	3.0	7.0
5	4.0	8.0
6	5.0	9.0
7	6.0	10.0
8	7.0	11.0
9	8.0	12.0
10	9.0	13.0
11	10.0	14.0
12	11.0	15.0
13	12.0	16.0
14	13.0	17.0
---	---	---
30	29.0	33.0

Main Specifications

线数 (poles): 2 to 30P  
 额定电流 (Current rating): 1.0A AC, DC  
 额定电压 (Voltage rating): 50V AC, DC  
 温度范围 (Temperature range): -25°C to +85°C  
 接触电阻 (Contact resistance): ≤20mΩ  
 绝缘电阻 (Insulation resistance): ≥100mΩ  
 耐电压 (Withstand voltage): 500V AC/minute



Range	>0~3	>3~18	>18~50	>50~120
Tolerance	±0.12	±0.15	±0.3	±0.5

1		Housing	PBT (UL94V-0V-2)	1	White			
No.	Drawing No.	Name	Material	Q'TY	Note			
Undelared Tolerance		<b>Conntherm</b>						
X.° ±3° X.X° ±0.5°								
<10	10-30	>30	UNIT	RATIO	Design Units	SIZE	PAGE	
±0.2	±0.25	±0.3	MM Only	—	METRIC	A4	1 OF 1	
Part No.								

15 14 13 12 11 10 9 8 7 6 5 4 3 2 1