

CONTENTS

Surface Mount Fuses

1206F Series	2
0603F Series	5
1206S Series	8
0603S Series	11
0402F Series	14
Applications	15
Product Identification.....	15
Reliability Tests.....	16
Fuse Selection and Temperature De-rating Guideline.....	16
Soldering Temperature Profiles.....	17
Packaging and Storage.....	18
Cautions and Warnings	19
Notice	19

1206 fast blow series SMD chip fuse

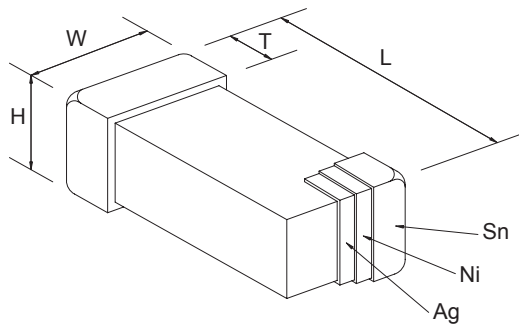
Features

- ✧ Multilayer monolithic structure with glass ceramic body and silver fusing element
- ✧ Silver termination with nickel and pure-tin solder plating,
- ✧ providing excellent solderability
- ✧ Compatible with both wave and reflow soldering processes
- ✧ Operating temperature range: -55°C to +125°C

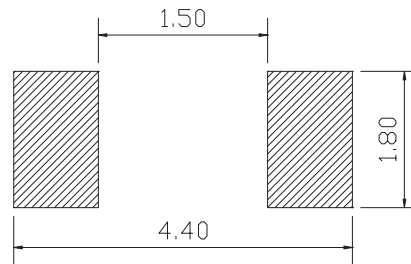


Product Dimensions and Recommended Land Pattern (mm)

Part number	L	W	H	T
1206WCF100A063V	3.20±0.20	1.60±0.20	1.50max	0.20min



Dimensions



Recommended Land Pattern

Clear-Time Characteristics (Fast blow)

% of current rating Clear-time at 25 °C	Clear-time at 25 °C
100%	4 hours min.
250%	5 seconds max.
400%	0.05 seconds max.

Interrupting Ratings

- 1A---3A 50A at rated voltage
- 4 A---8A 45A at rated voltage

**Electrical Characteristic**

Part Number	Current Rating (A)	Voltage Rating (VDC)	Cold DCR (Ω)
1206WCF050A063V	0.5	63	0.425
1206WCF075A063V	0.75	63	0.240
1206WCF100A063V	1.0	63	0.166
1206WCF150A063V	1.5	63	0.100
1206WCF200A063V	2.0	63	0.050
1206WCF250A032V	2.5	32	0.040
1206WCF300A032V	3.0	32	0.031
1206WCF400A032V	4.0	32	0.022
1206WCF500A032V	5.0	32	0.015
1206WCF600A024V	6.0	24	0.013
1206WCF700A024V	7.0	24	0.011
1206WCF800A024V	8.0	24	0.008