

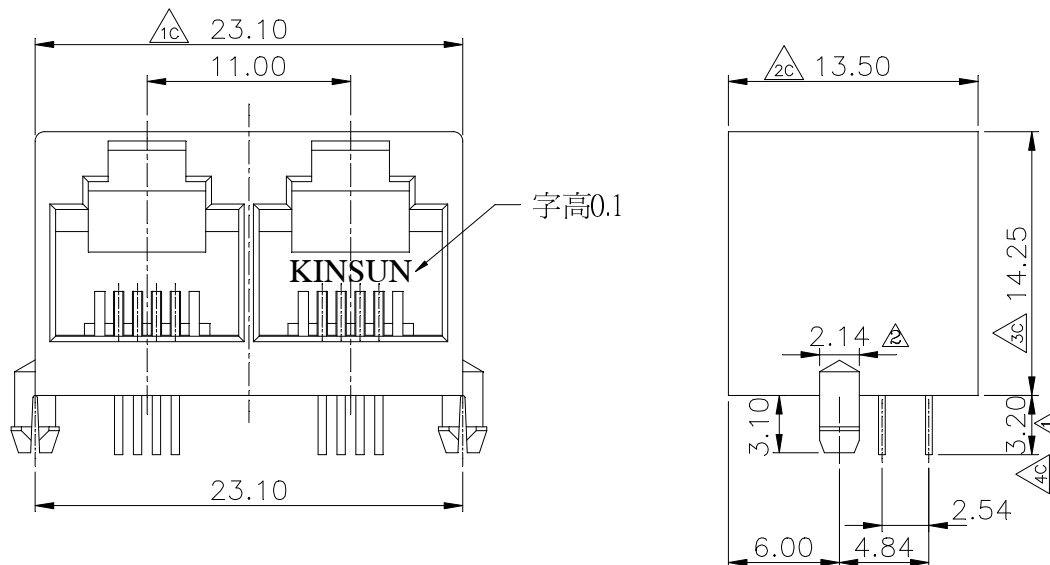
**MATERIALS:**

PLASTIC HOUSING: ENGINEERING THERMOPLASTIC  
 FLAMMABILITY RATING UL 94V-0.

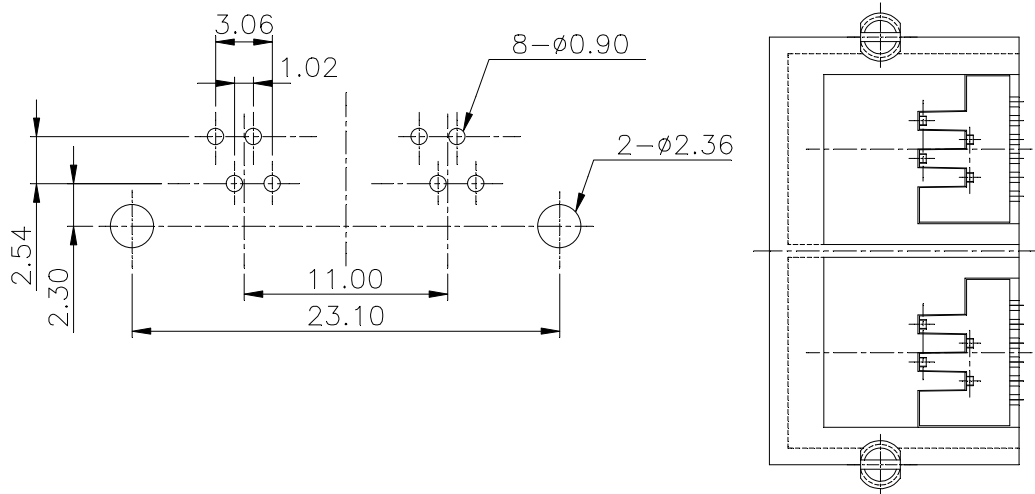
CONTACTS: 0.35MM THICKNESS PHOSPHOR BRONZE

PLATING: GOLD PLATING OVER NICKEL IN CONTACT.

TIN PLATING OVER NICKEL IN SOLDER AREA.



PCB LAYOUT/TOP VIEW



- 3" P/N 3016371000 BLACK
- 6" P/N 3016371100 BLACK
- 15" P/N 3016371200 BLACK
- 30" P/N 3016371300 BLACK
- 50" P/N 3016371400 BLACK

※ 凡標註記號者, 為品管檢驗之尺寸

設計 DR. Vinson 93-04-15	核准 APPD. Jarry 93-04-15	容許公差 .XXX ±0.10 .XX ±0.25 .X ±0.38 X ±0.50 ANG ±3°	TOLERANCE	品名 ARTICLE Multi-Port PCB Jack
版本說明 REVISION NOTE				圖號 DWG NO. 3016371100
				單位 UNIT mm 比例 SCALE 2.5/1 張數 SHEET 1/1 版本 REV. A