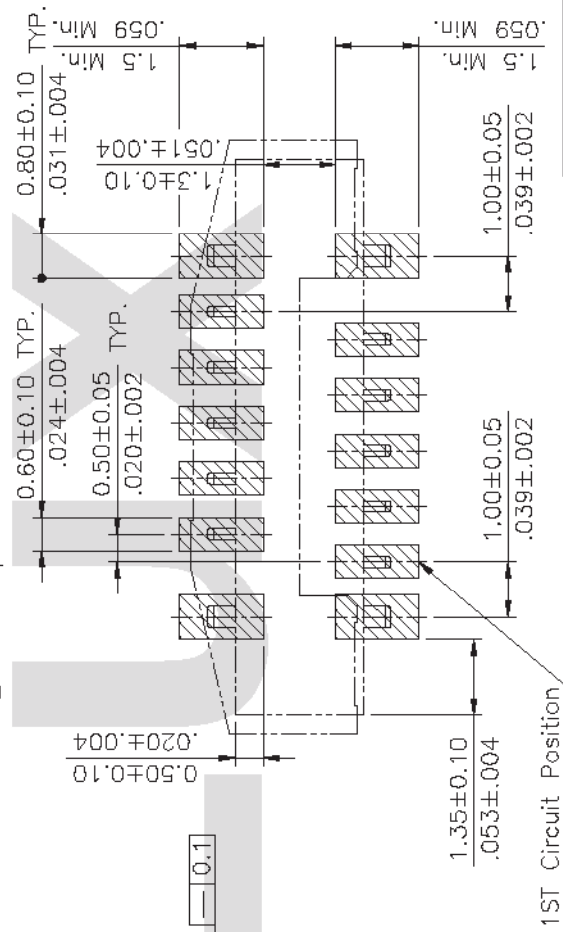
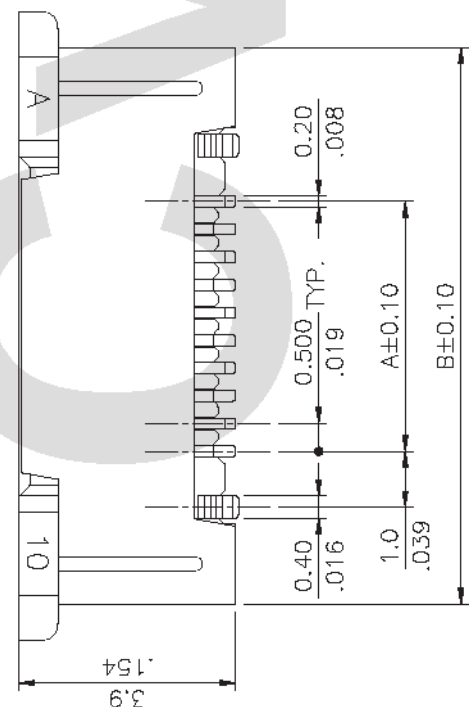
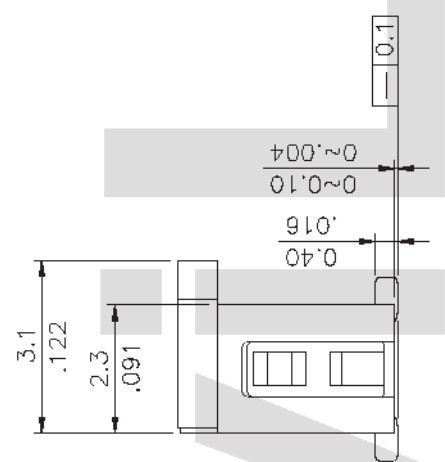
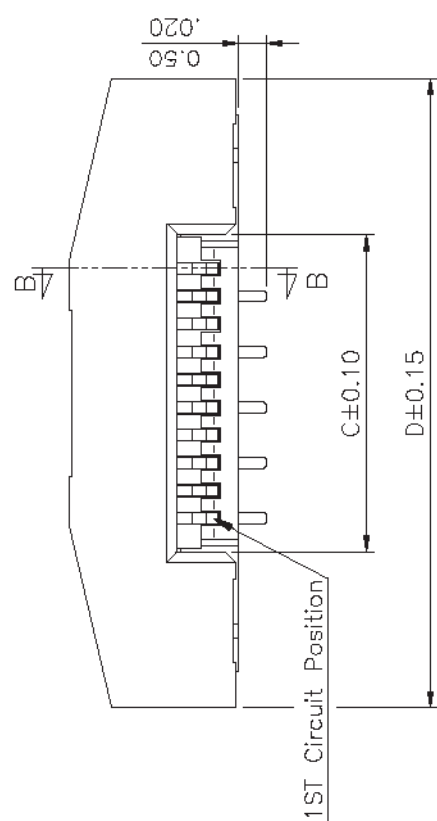
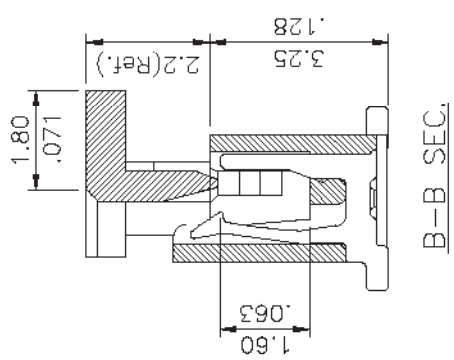


Material :  
 \* Body : NYLON 46 With 40% GF. UL 94V-0, Color Nature  
 \* Slider : NYLON 9T With 33% GF. UL 94V-0, Color Black  
 \* Contact : Phosphor Bronze, With Tin plated  
 \* Fixed tab : Brass, With Tin plated

**Ordering Code**

CF20 50 1 V 0 R 0  
 ① ② ③ ④ ⑤ ⑥ ⑦

- ① Series No.
- ② No. of Circuits
- ③ Plating code: 1 = 3.05µm(120µ") Min. Tin over 0.76µm(30µ") Nickel
- ④ Contact style: V= Vertical Type
- ⑤ Color: 0= Nature
- ⑥ Packing Type: R= Tape & Reel; T= Tube Packing
- ⑦ Other options: 0 = Standard




A = 0.50 x No. of Spaces  
 B = A + 5.5  
 C = A + 1.2  
 D = A + 6.8  
 \* Available in 4 through 50 circuits

Sold Pad Pattern

RoHS Compliant

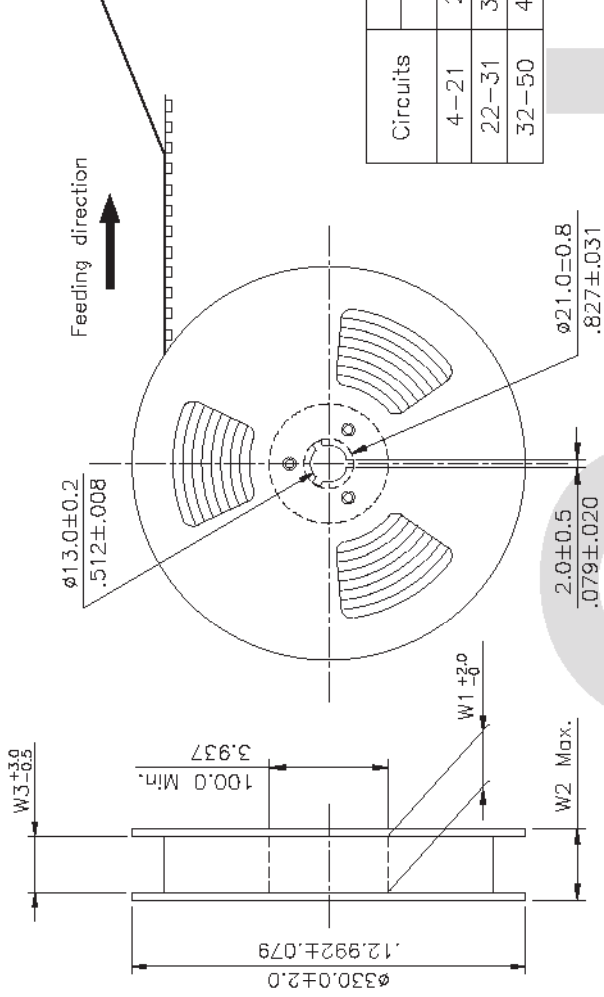
④	4/29-07	ECN07153	DATE	4/29-07	UNIT: mm / inch	TITLE: 0.50mm(.031") ZIF FFC/FPC VERTICAL TYPE SURFACE MOUNT CONNECTOR
	Sandy	DRAWN BY:	Sandy	4/29-07	TOLENANCE UNLESS OTHERWISE SPECIFIED	MATERIAL: ZIF FFC/FPC VERTICAL TYPE SURFACE MOUNT CONNECTOR
③	12/19/05	ECR05066-1/ECN05437	ENGINEER:	Eisley	X ± 0.15/.006	FINISH:
②	12/09/04	ECR04064-1/ECR04069-1/ECN04462	CHECKED BY:	David	.XX ± 0.10/.004	
①			APPROVED BY:	Alex	.XXX ± 0.05/.002	
SYM	NAME	DATE	REVISIONS			


 瀚荃股份有限公司  
 CvILUX Corporation

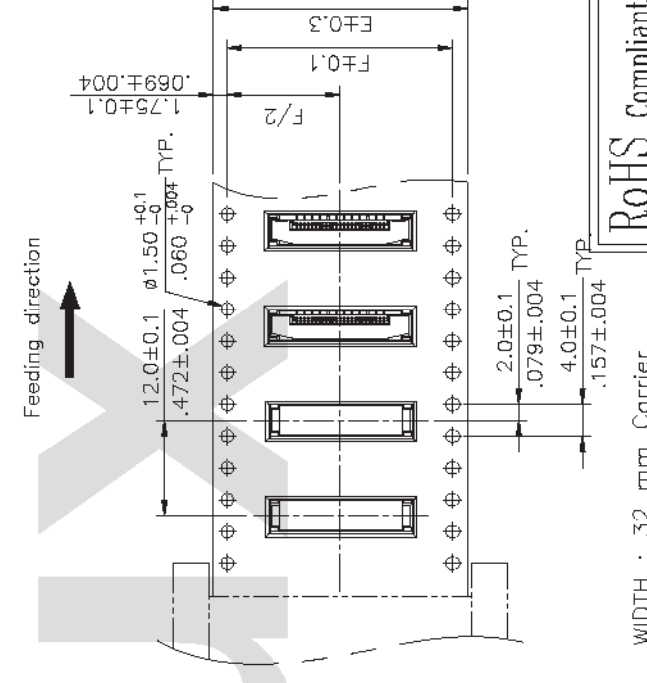
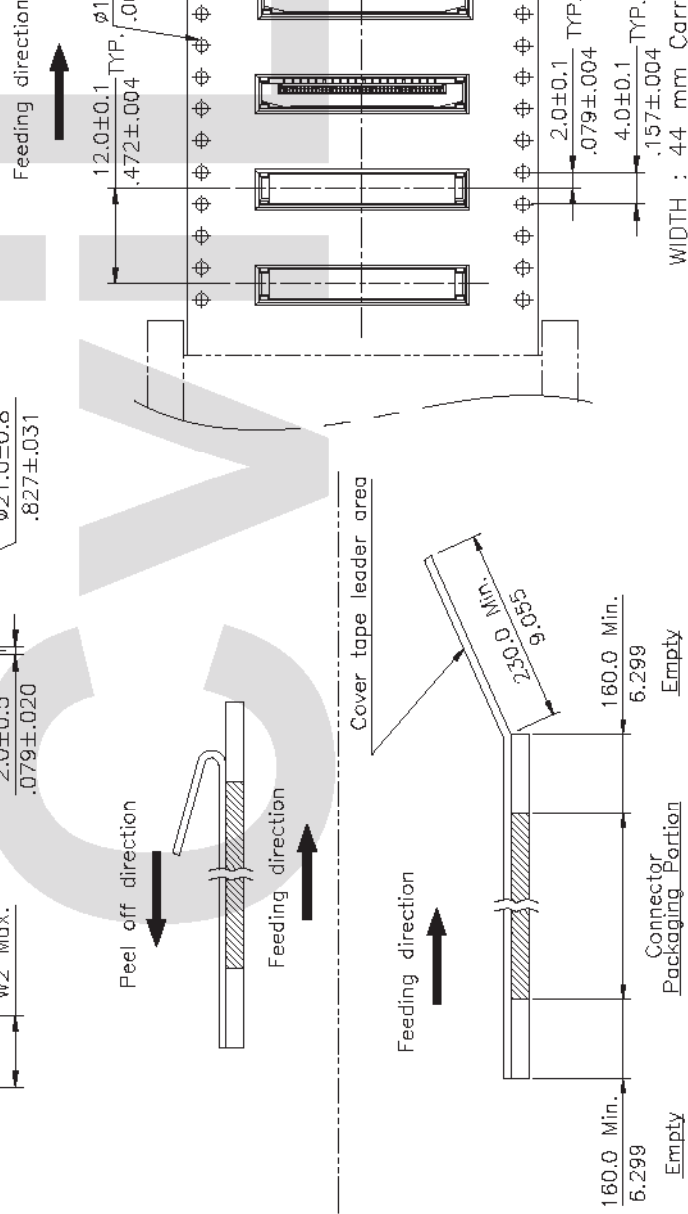
DRAWING NO.	CF2007SC	PART NO.	CF20**1V0*0
SCALE	7 / 1	SHEET	1 OF 2

NOTE :

- \* Reel Material : HIPS
- \* Carrier Material : Clear, Conductive Polystyrene Alloy
- \* Cover Tape Material : Polyester
- \* Cover Tape Peel Strength : 0.1N - 1.3N
- \* Carrier camber is within 1mm in 100mm
- \* All dimensions meet EIA-481-2 & EIA-481-3 requirements.
- \* Quantity : 1000 PCS/Reel



Circuits	Dimension			Packing (Reel/Caton)
	E	F	W3	
4-21	24.0(.945)	-	24.5(.965)	9
22-31	32.0(1.260)	28.40(1.118)	32.5(1.280)	7
32-50	44.0(1.732)	40.40(1.596)	44.5(1.752)	5




RoHS Compliant

WIDTH : 32 mm Carrier

WIDTH : 44 mm Carrier

4	DATE	4/29-07	UNIT: mm / inch	TITLE: 0.50mm(.031") ZIF FFC/FPC VERTICAL TYPE SURFACE MOUNT CONNECTOR
	DRAWN BY:	Sandy	DATE	4/29-07
3	ENGINEER:	Eisley	ENGINEER:	Eisley
2	CHECKED BY:	David	CHECKED BY:	David
1	APPROVED BY:	Alex	APPROVED BY:	Alex
SYM NAME		DATE	REVISIONS	
ECHO7153		4/29-07	ECR05066-1/ECN05437	2007.05.21
Sun		12/19/05	ECR05066-1/ECN05437	ISSUED
Sun		12/09/04	ECR04064-1/ECR04069-1/ECN04462	
DRAWING NO. CF2007SC		PART NO.	CF20**1V0*0	
SCALE		SHEET	2 OF 2	


**瀚荃股份有限公司**  
**CvILux Corporation**