

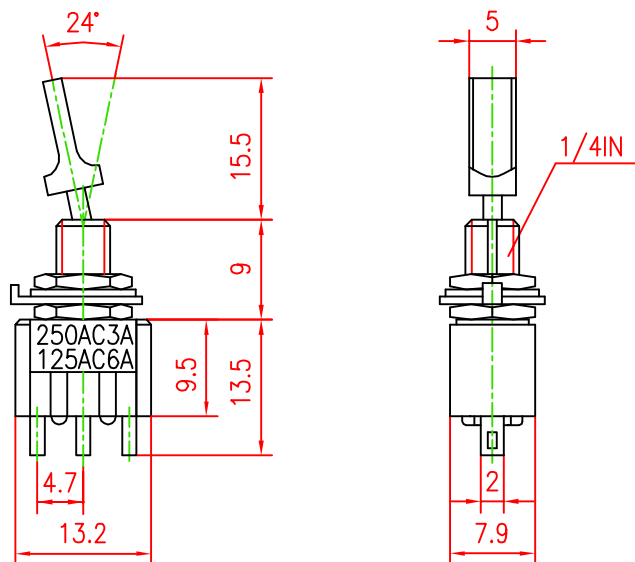
# Miniature Toggle Switches

<TYPE>: MTS-102-E1

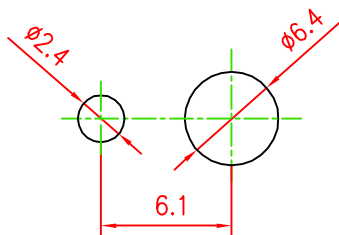
## Specification

- 1.(Rating): 6A 125VAC; 3A 250VAC
- 2.(Contact R): 20 OHM  $\supset$ max
- 3.(Insulation R): 500V DC 1000 OHM $\supset$  min
- 4.(Dielectric Strength): 1 Minute 1500V AC
- 5.(Operating Temperature): -55°C+85°C
- 6.(Electrical Life): 20.000 Cycles

## Outline Drawing



## Mounting



## Circuitry

