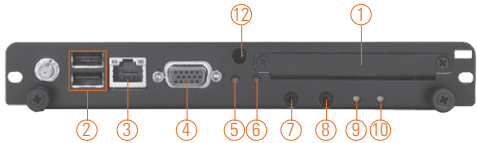


# OPS860-HM

Socket G2 Intel® Core™ i5/ i3 Open Pluggable Specification (OPS) Digital Signage Player with Intel® HM65 Chipset



- |                  |                             |
|------------------|-----------------------------|
| 1. 2.5" HDD Slot | 7. Audio (Line-out)         |
| 2. USB 2.0 x 2   | 8. Audio (Mic-in)           |
| 3. Ethernet      | 9. Power indicator          |
| 4. VGA           | 10. HDD indicator           |
| 5. Power switch  | 11. JAE TX-25               |
| 6. Reset         | 12. WiFi antenna (optional) |



## Specifications

|  |  |   |
|--|--|---|
| Main System  | CPU  | Supports socket G2 (rPGA988B) 2nd Generation Intel® Core™ i5/ i3 processors |
|  | Chipset  | Intel® HM65 PCH   |
|  | System Memory                                    | 1 x DDR3-1333 SO-DIMM max. up to 4 GB                                       |
|  | Storage  | 1 x 2.5" SATA HDD tray  |
|  | BIOS   | AMI UEFI BIOS with OA 3.0 built   |
|  | Watchdog Timer                                   | 255 levels, 1 ~ 255 sec.  |
|  | IO   | 2 x USB 2.0   |
| 1 x 10/100/1000Mbps Ethernet                           |  |   |
| 1 x VGA  |  |   |
| 1 x power on/off button                                |  |   |
| 1 x reset button                                       |  |   |
| 1 x Audio (Line-out/ Mic-in)                           |  |   |
| 1 x DVI/HDMI (via OPS JAE interconnector)              |  |   |
| 1 x DisplayPort (via OPS JAE interconnector) (Pure DP) |  |   |
| 3 x USB 2.0 (via OPS JAE interconnector)               |  |   |
| 1 x Audio (Line-out, via OPS JAE interconnector)       |  |   |
| 1 x UART (TX/RX via OPS JAE interconnector)            |  |   |
| Indicator  | 1 x LED for system power ON                      |   |
|  | 1 x LED for HDD active                           |   |
| WiFi   | Supports 802.11 a/b/g/n (optional)               |   |
| Expansion Slot   | 1 x PCI Express Mini Card                        |   |
| Dimensions   | 200 mm (7.87") (W) x 119 mm (4.68") (D)          |   |
|  | x 30 mm (1.18") (H)                              |   |
| Packing Dimensions                                     | 270 mm (10.63") (W) x 197 mm (7.76") (D)         |   |
|  | x 70 mm (2.76") (H)                              |   |
| Weight (net/gross)                                     | 1 kg (2.2 lb)/1.5 kg (3.3 lb)                    |   |
| Environmental  | 0°C ~ +45°C (32°F ~ 113°F) (With airflow 1.2m/s) |   |

## Packing

- 1 x driver CD
- 1 x HDD mylar x 1
- 1 x thermal grease (syringe 1G)
- 2 x M3 x 4 screw
- 2 x M4 x 6 screw

## Features

- Open Pluggable Specification (OPS) compliance
- Supports socket G2 (rPGA988B) 2nd Generation Intel® Core™ i5/ i3 processors
- Intel® HM65 PCH
- DDR3-1333 SO-DIMM max. up to 4 GB
- PCIe Mini Card supported
- Easy maintenance: pluggable HDD and easy-to-change DRAM
- VGA connector



▲ Rear view

## Optional EOS Installation

Windows® 7 Embedded

## Optional OS Installation

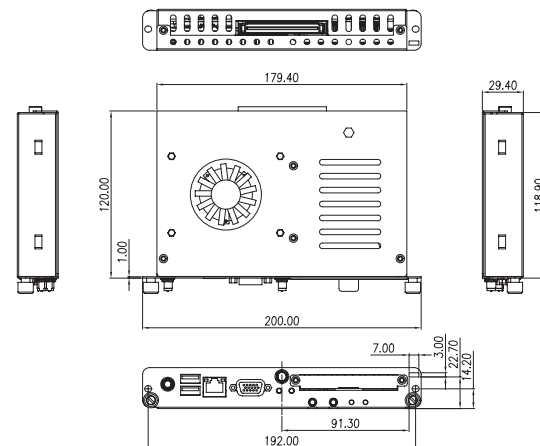
Windows® XP, Windows® 7

## Ordering Information

| Standard          |   |
|-------------------|---|
| OPS860-HM         | OPS digital signage player supports socket G2 2nd Gen Intel® Core™ processors |
| (P/N: E22M860101) |   |
| Optional          |   |
| OPF320            | 31.5" full HD digital signage display   |
| OPF321            | 31.5" LED backlight full HD digital signage display                           |
| AX93157           | OPS docking board   |

\* Specification and certifications are based on options and may vary.

## Dimensions



\* All specifications and photos are subject to change without notice.  
© 2013 Axiomtek Co., Ltd. All rights reserved.