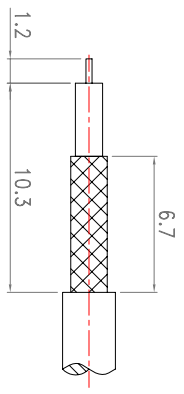
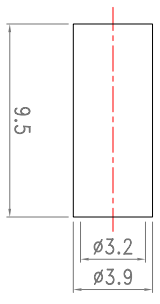
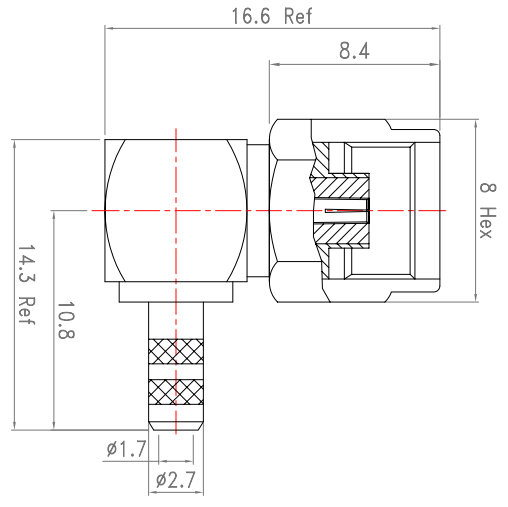
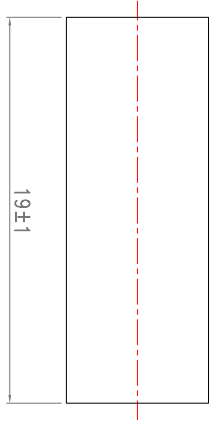


Revisions			
ISS	Symbol	Description	Date
B		CHE for New Drawing Frame & New PN System	2006/07/10



Recommended Cable Stripping Dim's



ITEM	Description	Material	Finish	Part Number	QTY
5	Shrinking Tube	PE	None		
4	Pin	BeCu	30u" Gold		
3	Insulator	PTFE	None		
2	Body	Brass	Gold		
1	Shell	Brass	Gold		

Scale	Abbr.	Date	Rev.
NTS	ST	2006/08/07	B

Drawn	Checked	Approved
<i>g. g</i>	<i>Mindy</i>	<i>g. Jun</i>

Drawn	Checked	Approved
2006.08.07	2006.08.07	2006.08.07

Proprietary Note
This document contains information proprietary to S-Comm, which is either copyrighted, or patent applied for, and / or protected by trade secret laws.
This document or parts thereof, may not be used, disclosed or reproduced in any form by any method, or for any purpose, without the written permission of S-Comm, Taiwan

Customer P/N: Nil

DWG.NO.
RS104L0629-M-4

TITLE:
RP SMA R/A Crimp Plug for RG174 Cable



S-Comm Enterprise Co., Ltd

ROHS COMPLIANCE