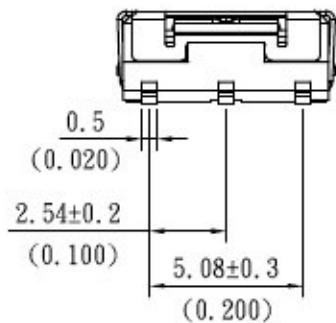
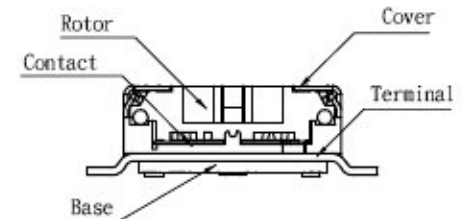
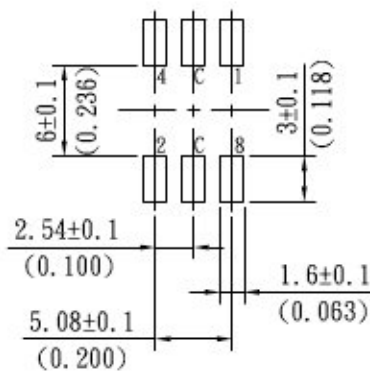


CONSTRUCTION



P. C. B LAYOUT



PIN NO	POSITION															
	0	1	2	3	4	5	6	7	8	9	A	B	C	D	E	F
1		●		●		●		●		●		●		●		●
2			●	●			●	●				●	●			●
4					●	●	●	●					●	●	●	●
8									●	●	●	●	●	●	●	●

● ..... Real Code Rotor color : white

NO.	DETAILS	ALTERED BY	DATE	NORMAL TOLERANCE		EGE EXCEL CELL ELECTRONIC CO., LTD.				PART NUMBER		ERD716RMZ	
				RANGE	TOLERANCE	CHECK	DESIGN	DRAWN	UNIT	MM (INCH)	PART NAME	ERD7	
				0-1	±0.1	Gary Kuo	DESIGN	TIM	DRAWN	TIM	MM (INCH)	PART NAME	ERD7
			1-4	±0.3	SCALE						4:1	TYPE	3:3(SMT)
			4-16	±0.5	SIZE						A4	FILE NAME	7187160200A.DWG
			16-63	±0.8	PROJECTION							EDITION	A
			63-250	±1.0									