



# PRODUCT DATASHEET

## Martha series

last update 8/11/2013

### DETAILS

<b>Product Number</b>	C10366_PLATINUMROCKET-3-SS
<b>Family</b>	Martha
<b>Type</b>	Lens array
<b>Color</b>	clear
<b>Diameter</b>	50 mm
<b>Height</b>	15,6 mm
<b>Style</b>	round
<b>Optic Material</b>	PMMA
<b>Holder Material</b>	
<b>Fastening</b>	pin, glue
<b>Status</b>	production ready
<b>ROHS Compliant</b>	Yes
<b>Date Updated</b>	8/11/2013



### OPTICAL PROPERTIES

LED	Viewing Angle	Light Beam	Efficiency	cd/lm	Connector
XR-E	14 deg	Smooth spo...-		-	-
Golden Dragon+	14 deg	Smooth spo...-		-	-

D

C

B

A

4

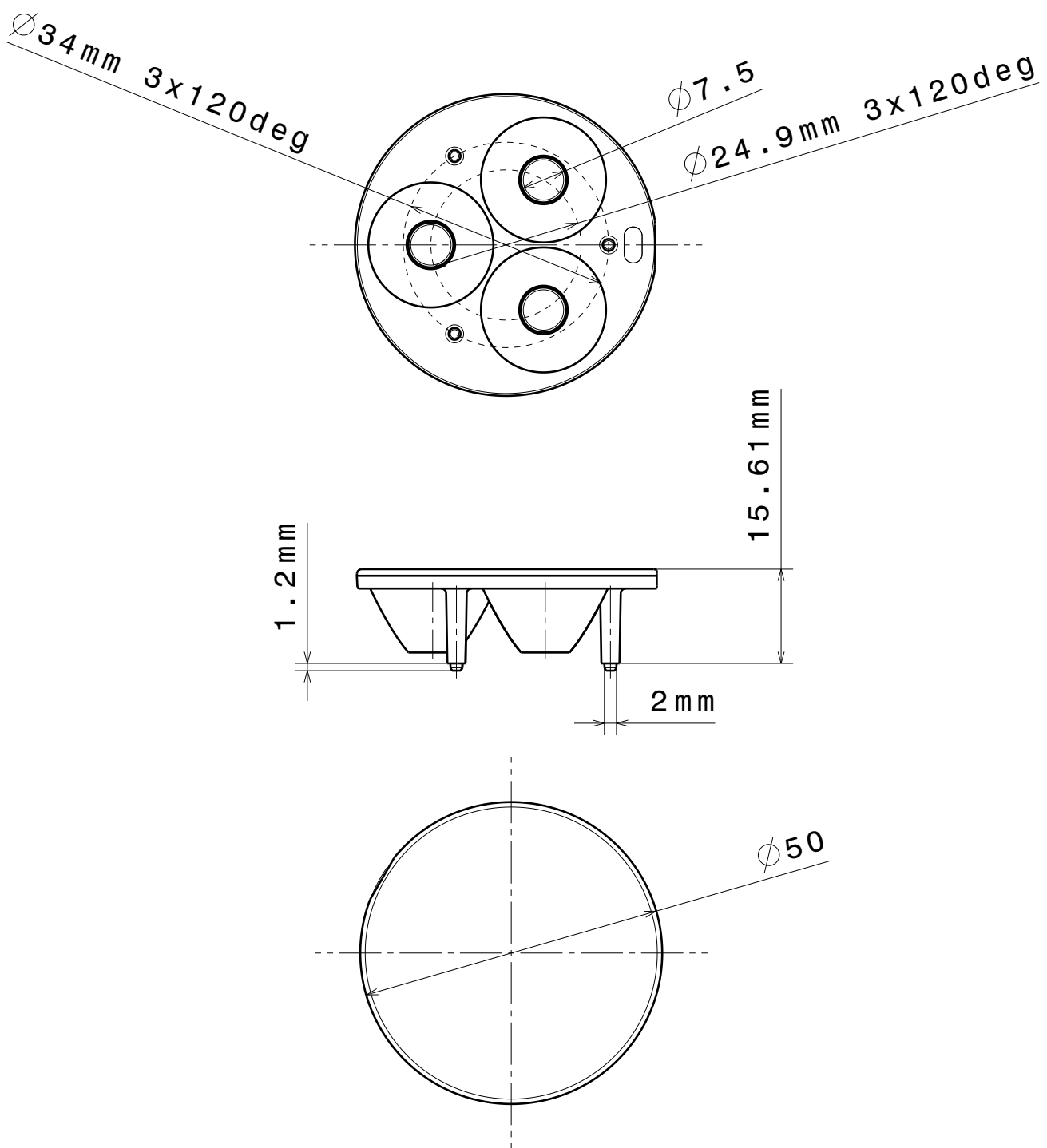
4

3

3

2

2



Material: PMMA Clear

This drawing is our property. It can't be reproduced or communicated without our written agreement.



Ledil Oy  
Salorankatu 10  
FIN-24100 SALO  
Finland

DRAWING TITLE

Rocket3 / Martha

DRAWN BY  
ah

DATE  
8.11.2013

CHECKED BY  
X

DATE  
8.11.2013

SIZE  
A4

DRAWING NUMBER

REV  
1

DESIGNED BY  
hh

DATE  
29.05.2007

SCALE

1:1

WEIGHT (g)

SHEET

1/1

D

A

1

1

**NOTE: The typical divergence will be changed by different color, chip size and chip position tolerance. The typical total divergence is the full angle measured where the luminous intensity is half of the peak value.**