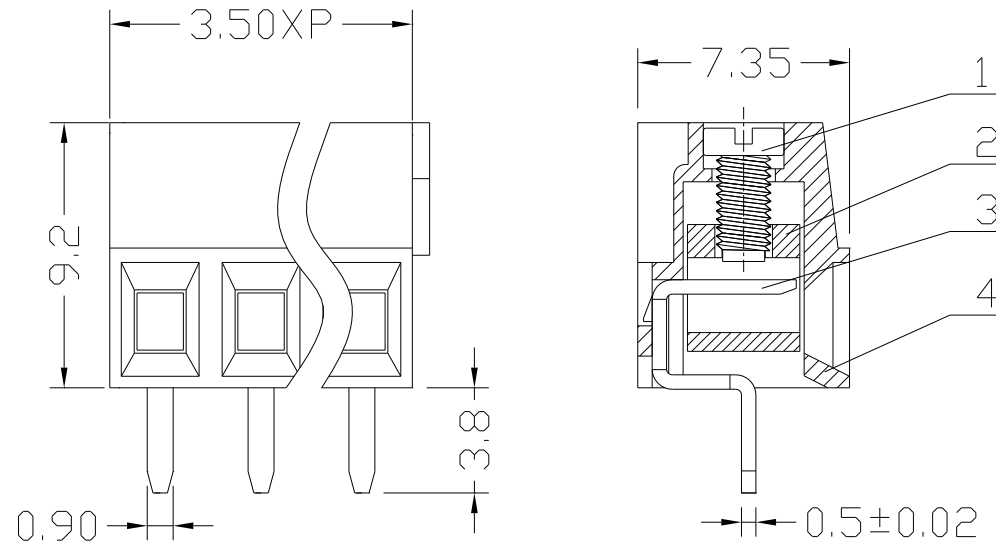


| 序号/RevNo. | 名称/Title | 文件编号/File No. |
|-----------|----------|---------------|
| 1 | XY302螺丝 | |
| 2 | XY302铜方块 | |
| 3 | XY302V端子 | |
| 4 | XY302塑件 | |

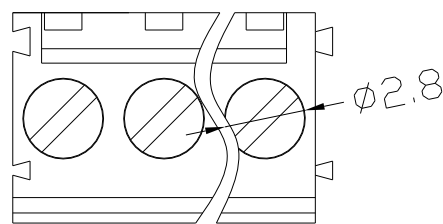


130V 9A 0.75mm²

Poles: 2P&3P

Pitch: 3.5mm&7.0mm

Pin Dimension: 0.5X0.9mm



Materials

Housing: Polyamide 6.6, Green

Solder Pin: Brass, 0.5t, Tin Plated.

Wire Cage: Brass, Tin Plated.

Screw: M2.0, Steel, Zinc Plated.

| 设计/Designed by | 绘图/Drawing by | 审核/Checked by | 批准/Approved by | 未注公差 General Tolerance | |
|---|---------------|---------------|----------------|---------------------------|------------|
|  XINYA ELECTRONIC CO.,LTD | | 图名/Title | 文件编号/File No. | x. ±0.2 | x." ±2° |
| | | XY302V产品图 | 页序/Sheet | .x ±0.1 | .x" ±1° |
| 备注/Remark | | | | .xx ±0.05 | .xx" ±0.5° |
| | | | | .xxx ±0.01 | |
| | | | | 单位/Units: mm | |

| 序号/RevNo. | 更改记录/Revision note | 签名/Signature | 日期/Date |
|-----------|--------------------|--------------|---------|
| | | | |