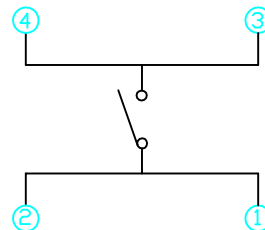
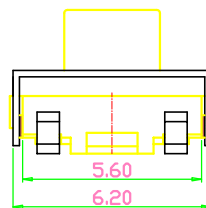
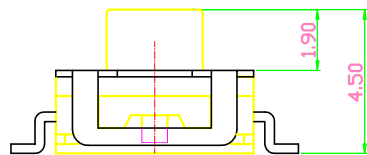
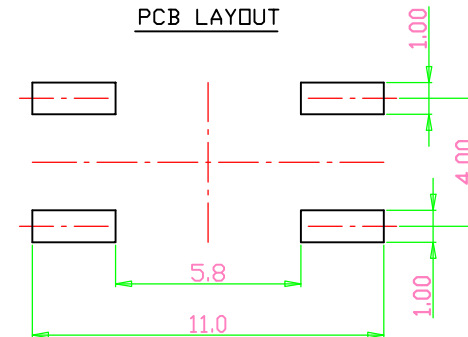


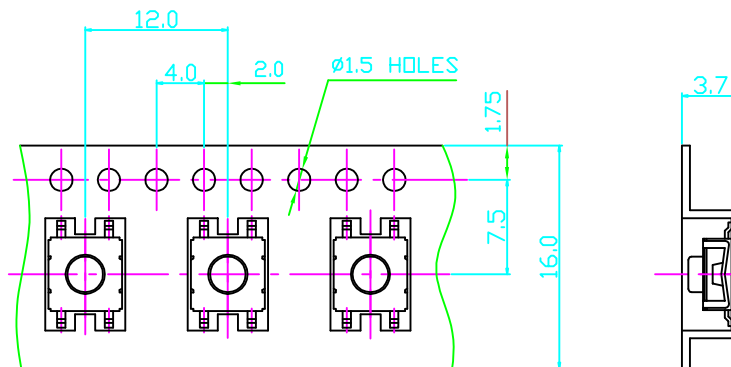
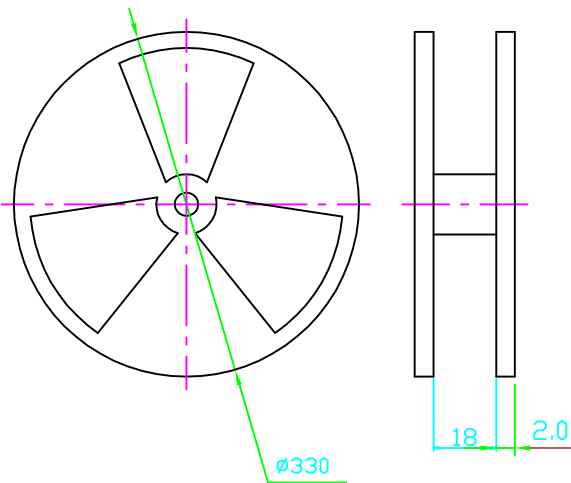
CIRCUIT DIAGRAM



PCB LAYOUT



DRAWING DIRECTION



NOTE

1. OPERATING FORCE : 250±50gf
2. RATING : DC 12V 50mA
3. TRAVEL : $0.2^{+0.2}_{-0.1}$ m/m
4. MANUFACTURING SPECIFICATION WOULD BE ACCORDANCE WITH MT0102
5. COMPACT, LOW-PROFILE SURFACE MOUNTING TYPE KEYBOARD SWITCH IDEAL FOR HIGH DENSITY MOUNTING
6. PERMITS REFLOW SOLDERING
7. THE QUANTITY PACKAGED PER REEL IS 1,200 PCS

PART NO	PART NAME	Q'TY	MATERIAL	STANDARD	DISPOSIT
△	TRIGON-OMETRY	UNIT	SCALE	RUBBER TACT SWITCH	
△	APPD	CHKD	DSGD		
△					
△					
△					
NO	CORRECTION			MODEL	INT-1162S 45B