

PRODUCT DATASHEET
Iris series

last update 31/10/2016

**Product number** CN10861_IRIS

Family	Iris	FWHM	12 degrees
Type	Pack	Efficiency	90 %
LED	MC-E	cd/lm	17.500
Color	Black	Gerber File	Available
Diameter	38 mm	Shipped as	unassembled - lens and holder
Height	28.5 mm	separately.	
Style	Round		
Optic Material	PMMA		
Holder Material	-		
Fastening	["glue", "screw"]		
Status	Production ready		

NOTE: The typical divergence will be changed by different color, chip size and chip position tolerance. The typical total divergence is the full angle measured where the luminous intensity is half of the peak value.



PRODUCT DATASHEET

Iris series

last update 31/10/2016

GENERAL INFORMATION

- Product series especially designed & optimized for MC-E series of LEDs.
- Special care taken to make light distribution as uniform as possible.
- Lens material optical grade PMMA with high UV and temperature resistance. Allows use of high current and temperature conditions.

Please find more information about used material from below:

http://ledil.fi/sites/default/files/Documents/Technical/Material/PMMA%20N%20UL94_Yellow%20Card.pdf

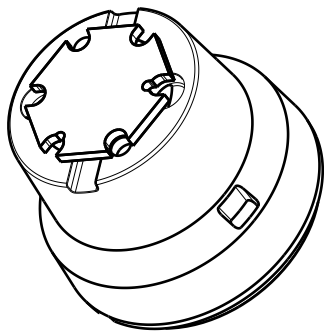
<http://ledil.fi/sites/default/files/Documents/Technical/Material/PMMA%20N%20PLEXIGLAS-Datasheet.pdf>

D

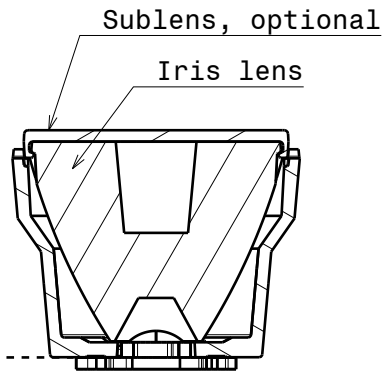
C

B

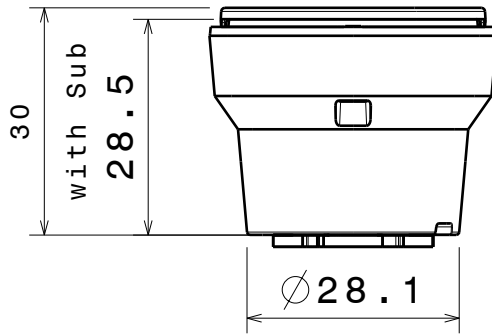
A



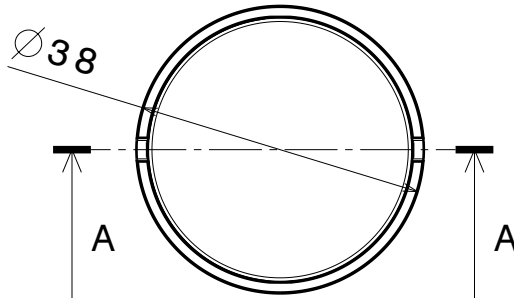
Isometric view



Section view A-A



Front view



Top view

Materials:
 Lens PMMA
 Holder PC

This drawing is our property.
 It can't be reproduced
 or communicated without
 our written agreement.



Ledil Oy
 Salorankatu 10
 FIN-24100 SALO
 Finland

DRAWING TITLE

Datasheet Iris MC/ Ostar assy

DRAWN BY a		DATE 13.4.2012		DRAWING TITLE Datasheet Iris MC/ Ostar assy			
CHECKED BY x x		DATE 13.4.2012		SIZE A4	DRAWING NUMBER -		REV 1
DESIGNED BY		DATE		SCALE 1:1	WEIGHT (g)	SHEET 1/1	

D

A