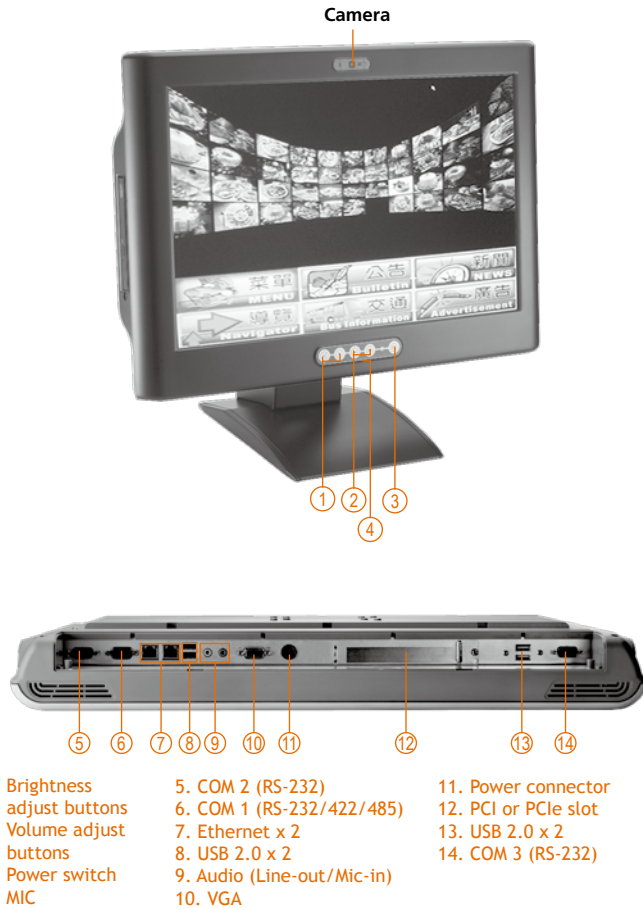


IFO2225-851-FL

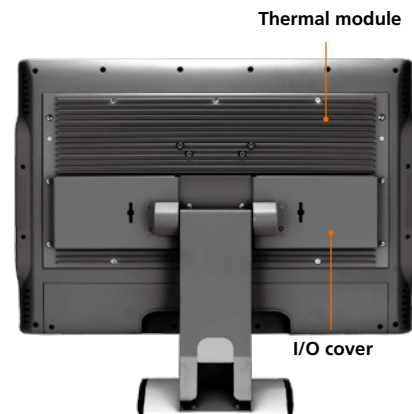
22" TFT Fanless Super Slim Touch Panel Computer with Intel® Core™2 Duo Processor up to 2.53 GHz



Features



- 22" high brightness (300 nits) WSXGA+ TFT LCD
- Fanless socket P Intel® Core™2 Duo or Intel® Celeron® M processor
- Water/dust-proof design (front bezel: IP65, full enclosure: IPX1)
- 1 PCI or PCIe x4 expansion slot (optional)
- Optional bluetooth/internal WiFi (802.11 b/g)
- Optional 1.3 mega pixels camera



Introduction

The IFO2225-851-FL is a slim panel computer equipped with a 22-inch 300 nits high brightness WSXGA+ LCD display that supports an Intel® Core™2 Duo/Celeron® M processor. Powered by Intel® GM45+ICH9M core logic chipset with maximum 256 MB sharing graphics memory, this panel computer has enhanced graphics performance. The panel also supports DualView and multiple I/O options including 2 USB 2.0 and 3 RS-232 ports. The built-in 1.3 mega pixels camera and microphone/speakers can provide a solution for VoIP and remote monitoring. The IFO2225-851-FL also supports an antenna for wireless (802.11 b/g) connection. Its dual Gigabit Ethernet ports provide high speed Ethernet as well as a high reliable redundancy host connection. This robust unit is designed to be work under minimal noise levels, low power consumption, high reliability and while

maintaining efficient performance. Its excellent industrial design (ID) and user friendly interface design make it an ideal solution best suited for infotainment, advertising messaging, and other digital signage applications.

Water/dust-proof design for entire system: IPX1

The IPX1-rated water/dust-proof housing protects the entire system from outside damage caused by water drip damage while installed at public or enclosed environments. Its unique design improves system stability while saving time and money on maintenance costs and re-installation time.

Specifications

Front Bezel	Plastic ABS (Black)		BIOS	AMI BIOS with SmartView and customer CMOS backup
LCD Panel	Display Type	22" WSXGA+ TFT	Storage	Supports 1 x 2.5" SATA HDD 1 x CompactFlash™
	Brightness (cd/m ²)	300 nits	Optional Drive	1 x combo drive (for IFO-2225-851-FL-AC-CO)
	Resolution	1680 x 1050	Watchdog Timer	255 levels, 0-255 sec.
	Viewing Angle (H/V)	160° /160°	Onboard Graphics	Intel® GM45; max. memory shared 256 MB
Main System	CPU	Socket P Intel® Core™2 Duo or Intel® Celeron® M processor		
	Chipset	Intel® GM45 + ICH9M		
	System Memory	Supports 2 x DDR3 SO-DIMM memory up to 8 GB		

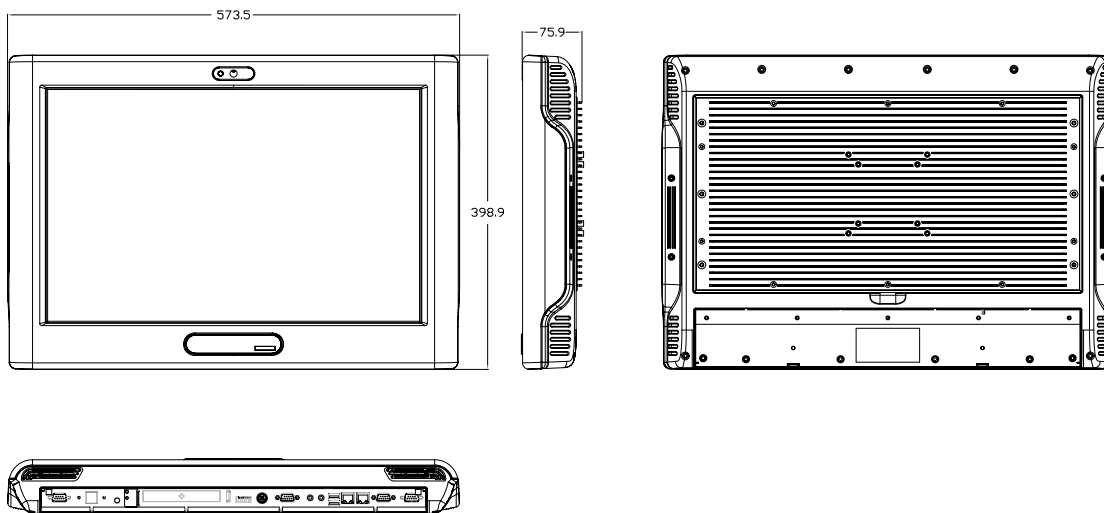
I/O Connectors	2 x RS-232 (COM 2/3) 1 x RS-232/422/485 (COM 1) 4 x USB 2.0 1 x Audio (Mic-in/Line-out) 2 x 10/100/1000Mbps Ethernet 1 x VGA
Expansion Interface	1 x PCI or PCIe x4 slot (optional)
Camera	1 x 1.3 mega pixels camera
Touchscreen	Resistive type Light transmission: 80% Touch life: 35 million touches
Power Supply	24Vdc with AC-DC adaptor
Dimensions	573.5 mm (22.57") (W) x 75.9 mm (2.98") (D) x 398.9 mm (15.7") (H)
Weight (net/gross)	10.58 kg (23.32 lb)/15.16 kg (33.42 lb)
Environment	Operating temperature: 0°C - +40°C (32°F - 104°F) Relative humidity: 10% - 95%, non-condensing Shock: 10G peak acceleration (11 sec. duration)
Certification	CE

Ordering Information

IFO2225-851-FL-AC -CO	22" TFT fanless touch panel computer with resistive T/S, slim combo and camera
IFO2225-851-FL-AC -PCI	22" TFT fanless touch panel computer with resistive T/S, PCI expansion, slim combo and camera
IFO2225-851-FL-AC -PCIe	22" TFT fanless touch panel computer with resistive T/S, PCIe expansion, slim combo and camera
IFO2225-851-FL-AC	22" TFT fanless touch panel computer with resistive T/S (w/o combo and camera)

* Specification and certifications are based on options and may vary.

Dimensions



Optional Accessories

E202003330	VM-101 VESA ARM (clamp type)
E202003329	VM-105 VESA ARM (wall mount type)
E222175103	22" stand kit

Optional OS Installation

Windows® XP
Windows® 7
Linux kernel 2.6

Overview

Digital Signage Solutions

Healthcare & Medical Solutions
Medical Panel Computers

Healthcare & Medical Solutions
Medical Grade Monitors

Fanless & Heavy-duty Touch Panel Computers

Touch Panel Computers for Infotainment

Industrial Touch Panel Computers & Monitors
Industrial Touch Panel Computers

Industrial Touch Panel Computers & Monitors
Industrial Touch Panel Monitors

Open Frame Panel Computers

Accessories