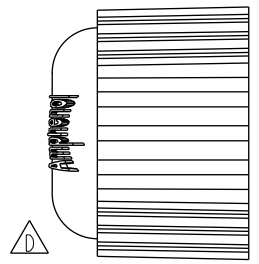


THIS DOCUMENT IS SUBJECT TO CHANGE WITHOUT NOTICE. IT IS CONFIDENTIAL AND A PROPERTY OF AMPHENOL LTW. DISCLOSURE TO THIRD PARTY HAS TO BE AUTHORIZED BY AMPHENOL LTW.

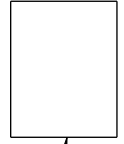
REV.	ECN NO.	DATE	SIGN	DESCRIPTION
B	LEN-860083	2008/06/02	Vicky	Add laser mark.
C	LEN-0C0326	2010/11/25	Ivan Lin	Change View & Frame
D	LEN14B0094	2014/11/04	Vicky	Update Logo

ALTW
CONFIDENTIAL
2014-11-04
R&D DEPT.

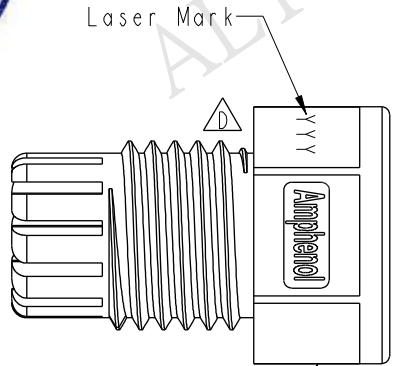
ALTW
DCC. DEPT.
CONFIDENTIAL
2014.11.11
ISSUED



Sealing Nut (5)



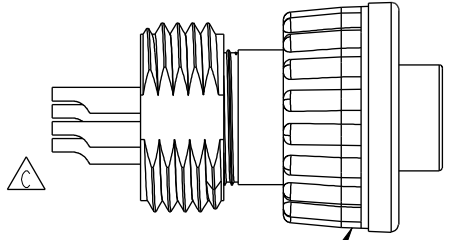
Seal (4)



Clamp Ring (3)

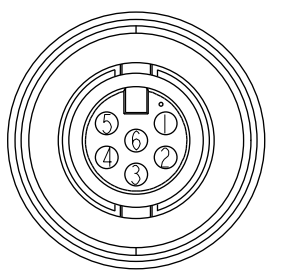


Gasket (2)

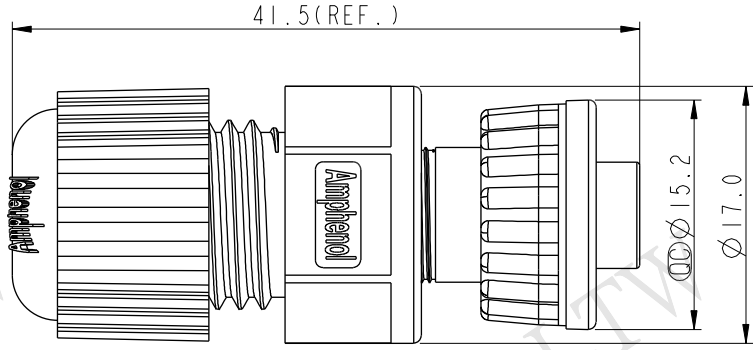


Connector (1)

- Note:
- * (C) Important Dimension To Check.
 - * Waterproof Rate: IP67
 - * Housing: Nylon+GF, Black
 - * Female Pin: Copper Alloy, Gold Plated
 - * O-Ring: EPDM, Black
 - * Screw Nut: Nylon+GF, Black
 - * Gasket: EPDM, Black
 - * Clamp Ring: Nylon, Black
 - * Seal: EPDM, Black
 - * Sealing Nut: Nylon, Black
 - * Seal For Cable OD: $\varnothing 4.5\text{mm} \sim \varnothing 6.5\text{mm}$
(防水墊圈線徑: $\varnothing 4.5\text{mm} \sim \varnothing 6.5\text{mm}$)
 - * One Set Unassembled In One PE Bag
(每一組未組裝, 放置於一個PE袋, 並封口)
 - (B) * Laser Mark: 工單號碼 (6碼)
字型Simplex; 字高2mm.



Pin Assignments
Front View



UNIT:mm TOLERANCE .X ±0.25 .XX ±0.1 .XXX ±0.05 ANGLES ±1°	TITLE Mini Assy Screw 6Pin F Conn F Pin			Amphenol LTW 安費諾亮泰企業股份有限公司		ITEM NO AU-06BFFA-SL7001	DRAWN BY Vicky	DATE 2014-11-04
	SCALE 2:1	SIZE A4	SHEET 1 OF 2			DWG NO AU-06BFFA-SL7001	CHECKED BY Sam	DATE 2014-11-04
	REV. D	WC-REV. A.2	(C) Inspection item			CUSTOMER ALTW	APPROVED BY Rita	DATE 2014-11-04