

NOTES:

ELECTRICAL:

- 1.VOLTAGE RATING :125 VAC RMS.
- 2.CURRENT RATING :15 AMP.
- 3.CONTACT RESISTANCE :30 MILLIOHMS MAX.
- 4.INSULATION RESISTANCE :500 MEGOHMS MIN @ 500V DC .
- 5.DIELECTRIC STRENGTH :1000V AC RMS 50Hz. 1MIN.

MECHANICAL:

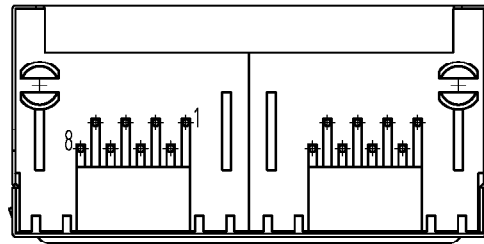
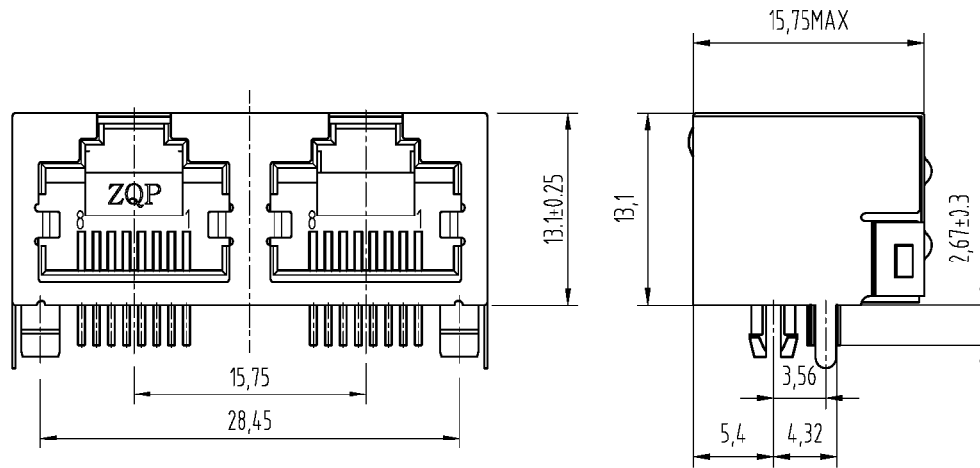
- 1.HOUSING MATERIAL :LEAD FREE POLYESTER UL94V-0.
- 2.CONTACT MATERIAL :PHOSPHOR BRONZE T=0.35mm FLAT PIN OR Ø0.46mm ROUND PIN.
- 3.PLATING :GOLD PLATING OVER NICKEL.
- 4.OPERATING :750 CYCLES MIN.
- 5.SHIELDING :0.20mm THICKNESS COPPER ALLOY WITH NICKEL PLATED.
- 6.PCB RETENTION PRE-SOLDER :1 LB MIN.

ENVIRONMENTAL:

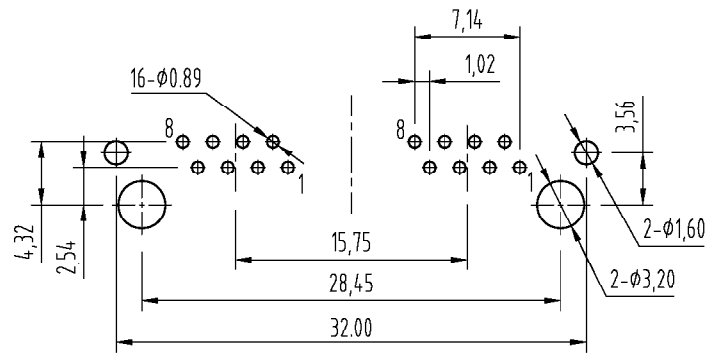
- 1.Temperature Range : -40°C~+85°C
- 2.Relative Humidity : 90~95% (40±2°C)

MATES WITH MODULAR PLUG CONFORMING TO FCC PART 68, SUBPART F.

PART NUMBER:



PCB LAYOUT



DETACHED LISTS	MM (INCH)		DFTO: XNW	07.12.2	TITLE			
	TOLERANCES EXCEPT AS NOTED		CHKD: BETTY	07.12.2				
	.0 ± 0.20	±	APPVL: PAUL	DATE: 07.12.2	/PART NO.			
	.00 ± 0.15	±	MATERIAL:				SIZE A4	REV A/0
	.000 ± 0.075	±	ANGLES ± 0.5°				DO NOT SCALE DRAWING	SHEET 1 OF 1
THIRD ANGLE PROJECTION		QTY:	FINISH:	SCALE : 1:1				