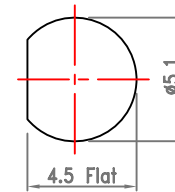
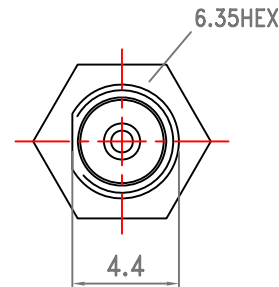
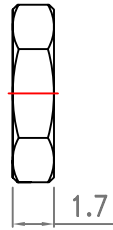
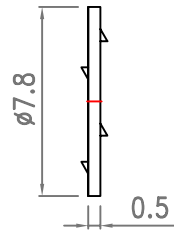
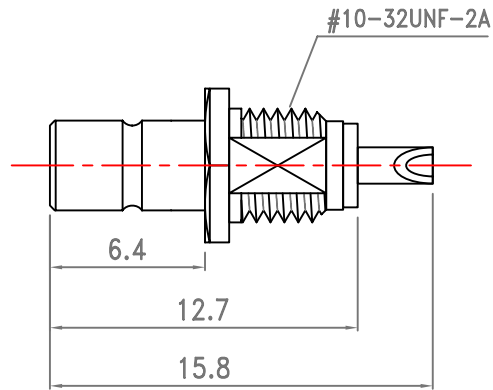


Revisions

ISS	Symbol	Description	Date
B		CHE for New Drawing Frame & New PN System	2006/07/10



Recommended Mounting Hole

RoHS COMPLIANCE

ITEM	Description	Material	Finish	Part Number	QTY	Scale	Abbr.	Date	Rev.	Proprietary Note	DWG.NO.	TITLE.
5	Nut	Brass	Gold			NTS	ST	2007.04.16	B	This document contains information proprietary to S-Conn, which is either copyrighted, or patent applied for, and / or protected by trade secret laws. This document or parts thereof, may not be used disclosed or reproduced in any form by any method, or for any purpose, without the written permission of S-Conn, Taiwan. Customer P/N: Nil	SB230LOG27-1	SMB Jack, Front Mount
4	Washer	Brass	Gold			Tolerances : .X ±0.5 .XX ±0.3 .XXX ±0.2			All Dimensions in mm (Unless Otherwise Specified)			
3	Pin	Brass	30u" Gold			Drawn	Checked	Approved				
2	Insulator	PTFE	None			Ryan	Ryan	G. Sun				
1	Body	Brass	Gold			2007.04.16	2007.04.16	2007.04.16				



S-Conn Enterprise Co., Ltd

ISO 9001 Certified