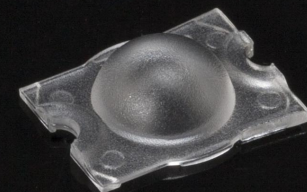


**Product number C11252\_STRADA-C2**

Family	Strada-C2	FWHM	124 degrees
Type	Lens	Efficiency	92 %
LED	XP-E	cd/lm	0.290
Color	Clear	Gerber File	Available
Diameter	19.6 x 15.5 mm		
Height	6.9 mm		
Style	Rectang		
Optic Material	PMMA		
Holder Material	-		
Fastening	-		
Status	Production ready		

**Product number CA11253\_STRADA-C2**

Family	Strada-C2	FWHM	124 degrees
Type	Assembly	Efficiency	92 %
LED	XP-E	cd/lm	0.290
Color	Clear	Gerber File	Available
Diameter	19.6 x 15.6 mm		
Height	5.9 mm		
Style	Rectang		
Optic Material	PMMA		
Holder Material	-		
Fastening	["tape", "pin"]		
Status	Production ready		

**Product number C13956\_STRADA-C2-NP**

Family	Strada-C2	FWHM	124 degrees
Type	Lens	Efficiency	92 %
LED	XP-E	cd/lm	0.290
Color	Clear	Gerber File	Available
Diameter	19.6 x 15.5 mm		
Height	6.9 mm		Version without pins.
Style	Rectang		
Optic Material	PMMA		
Holder Material	-		
Fastening	-		
Status	Production ready		

**NOTE: The typical divergence will be changed by different color, chip size and chip position tolerance. The typical total divergence is the full angle measured where the luminous intensity is half of the peak value.**



## PRODUCT DATASHEET Strada-C2 series

last update 26/3/2015

### GENERAL INFORMATION

- Product series especially designed & optimized for XP-E series of LEDs.
- Special care taken to make light distribution as uniform as possible.
- Lens material optical grade PMMA with high UV and temperature resistance. Allows use of high current and temperature conditions.

Please find more information about used material from below:

[http://ledil.fi/sites/default/files/Documents/Technical/Material/PMMA%20N%20UL94\\_Yellow%20Card.pdf](http://ledil.fi/sites/default/files/Documents/Technical/Material/PMMA%20N%20UL94_Yellow%20Card.pdf)

<http://ledil.fi/sites/default/files/Documents/Technical/Material/PMMA%20N%20PLEXIGLAS-Datasheet.pdf>

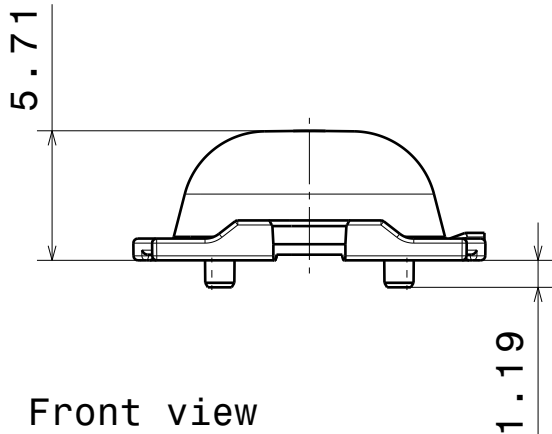
D

C

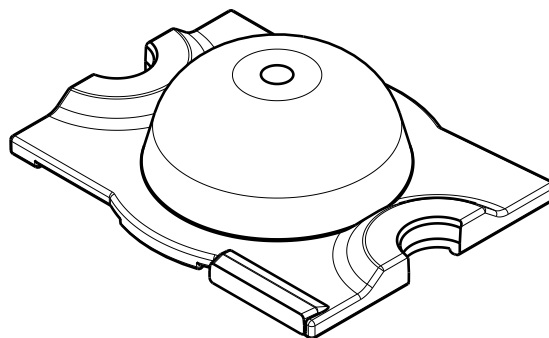
B

A

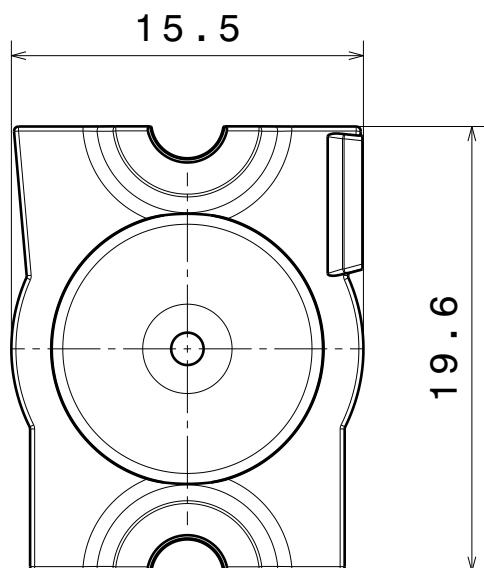
4



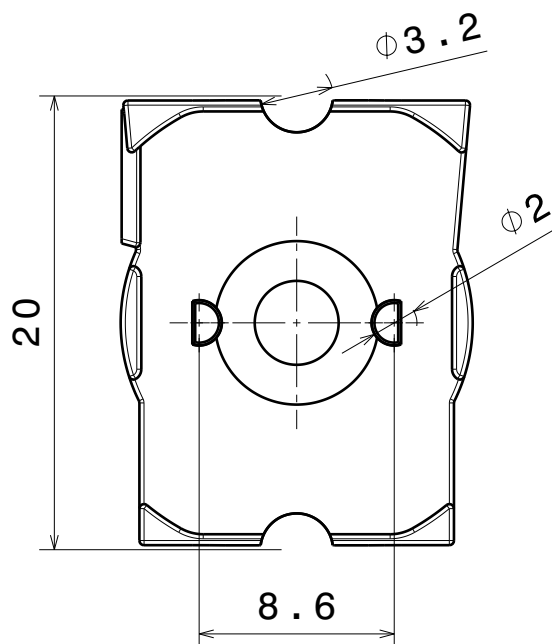
Front view

Isometric view  
Scale: 3:1

3



Top view



Bottom view

2

2

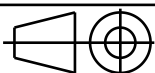
INDEX	PART NO	DESCRIPTION	MATERIAL	COLOUR
1	C11252	STRADA-C2	PMMA	

Tolerances if not otherwise shown  
According to DIN ISO 2768-1  
Linear measures:  
Up to 30mm class M, otherwise class C.  
According to DIN ISO 2768-2  
Form and position: class L

LEDiL

Ledil Oy  
Salorankatu 10  
FIN 24240 SALO  
Finland

THIRD ANGLE PROJECTION:



DRAWING TITLE

C11252\_STRADA-C2

This drawing is the property  
of LEDiL Oy. It may not be  
reproduced, copied or  
communicated without a written  
agreement with LEDiL Oy.

SIZE PART NUMBER

A4

C11252

SCALE	3:1	WEIGHT	0,6 g	SHEET	1/1
-------	-----	--------	-------	-------	-----

1

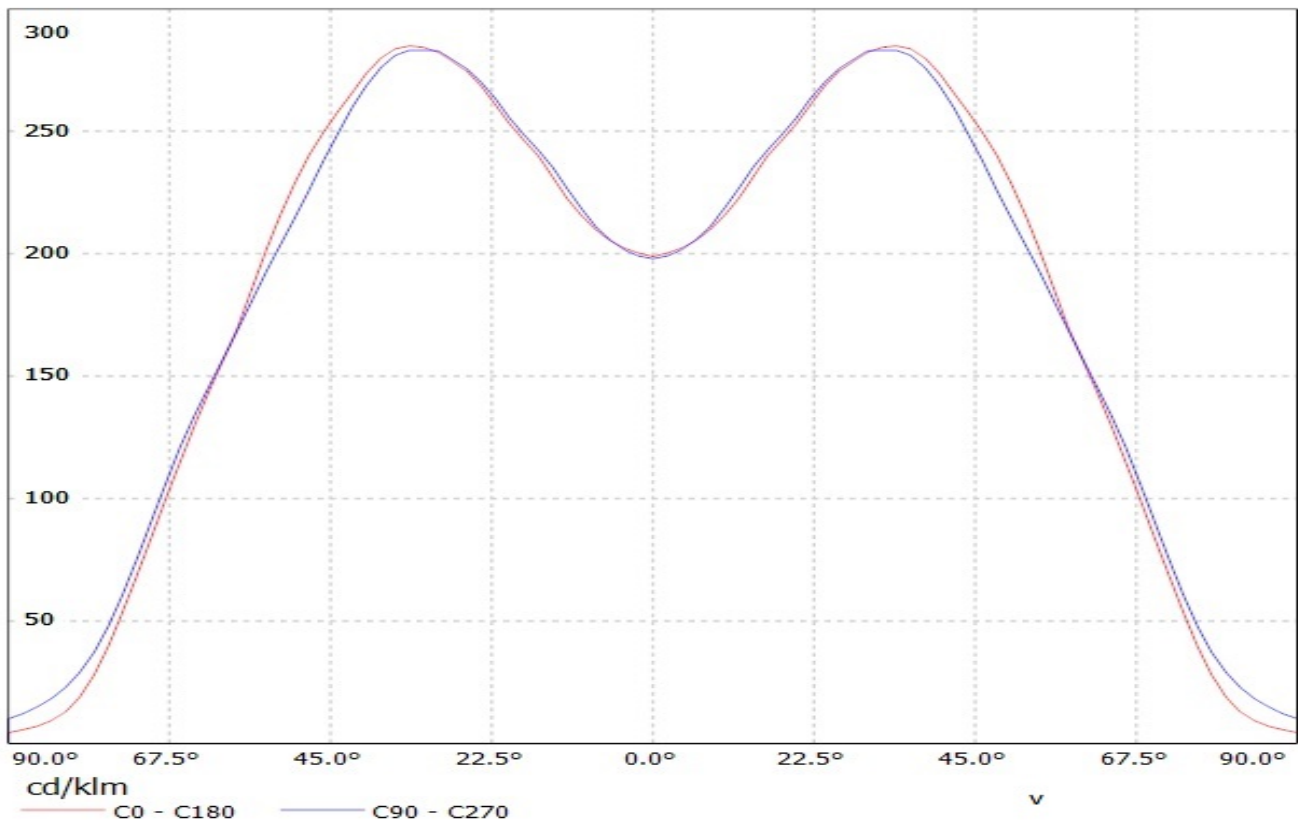
1

D

A

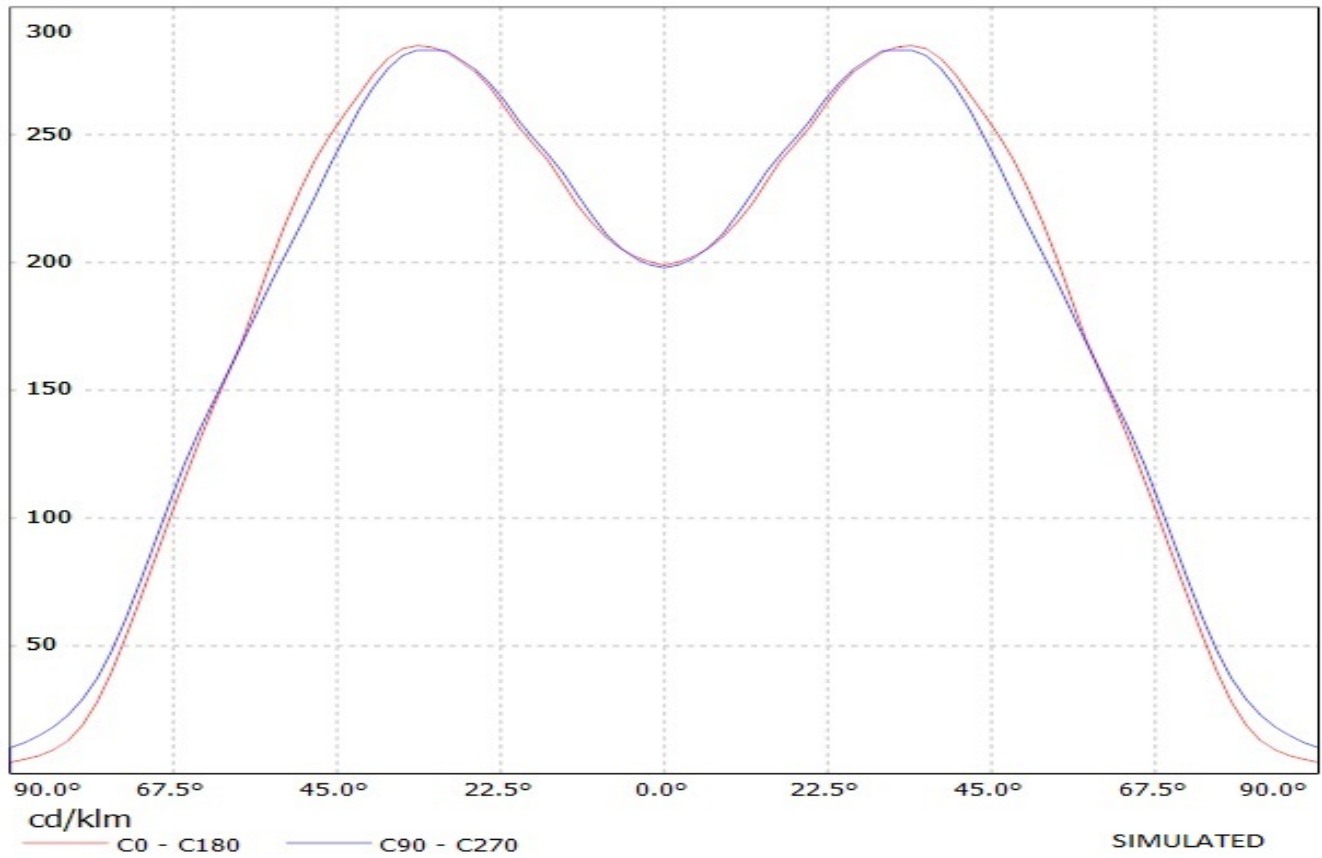
**Ledil Oy C11252\_Strada-C2-XP C11252\_Strada-C2-XP Cree XP-E (White) 70lm @ 250mA LOR=92% / LDC (Linear)**

Luminaire: Ledil Oy C11252\_Strada-C2-XP C11252\_Strada-C2-XP Cree XP-E (White) 70lm @ 250mA  
LOR=92%  
Lamps: 1 x Cree XP-E (White)



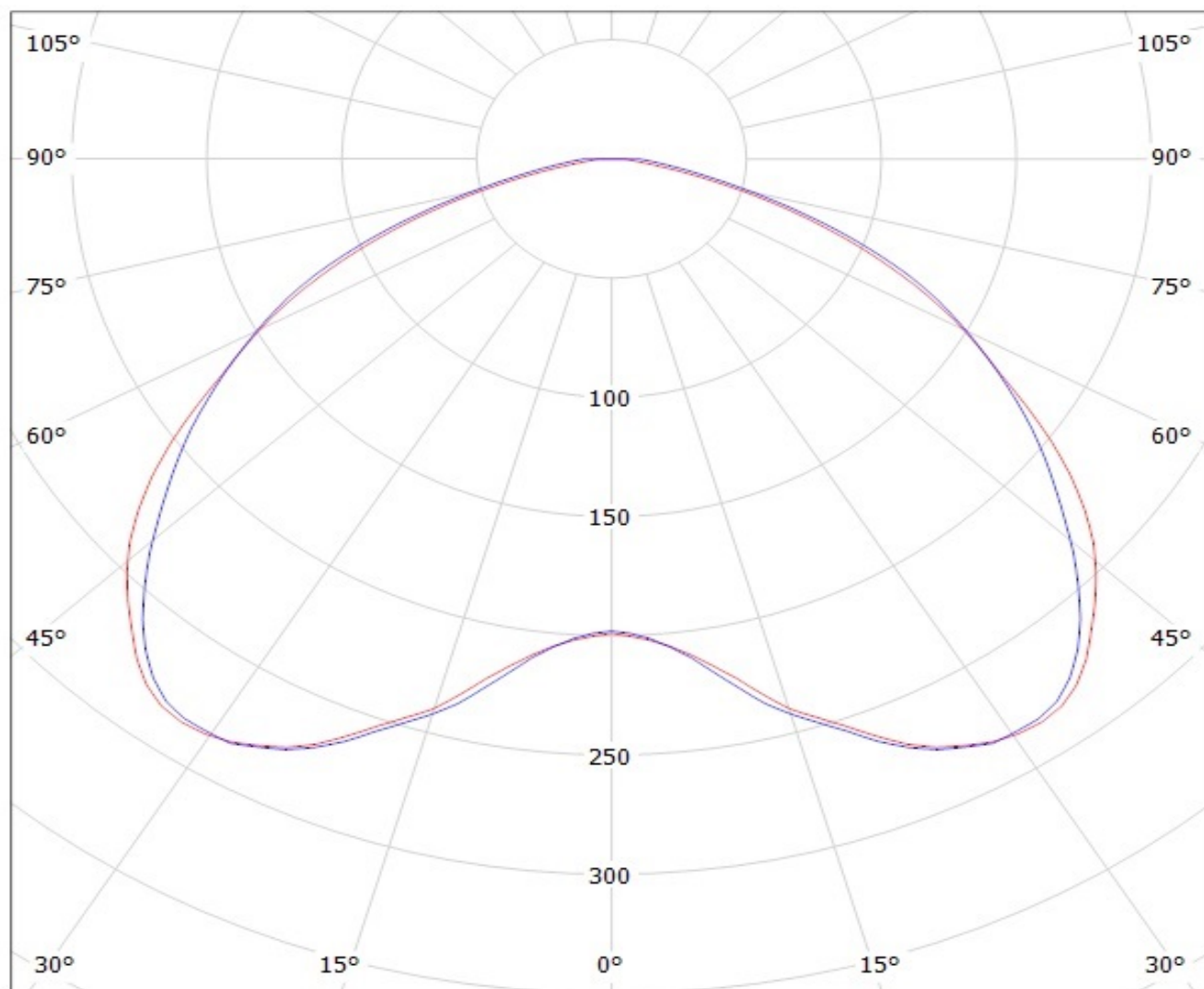
# Ledil Oy C11252\_Strada-C2-XP C11252\_Strada-C2-XP / LDC (Linear)

Luminaire: Ledil Oy C11252\_Strada-C2-XP C11252\_Strada-C2-XP  
Lamps: 1 x Cree XP-E (White)



**Ledil Oy C11252\_Strada-C2-XP C11252\_Strada-C2-XP Cree XP-E (White) 70lm @ 250mA LOR=92% / LDC (Polar)**

Luminaire: Ledil Oy C11252\_Strada-C2-XP C11252\_Strada-C2-XP Cree XP-E (White) 70lm @ 250mA  
LOR=92%  
Lamps: 1 x Cree XP-E (White)



cd/klm

— C0 - C180

— C90 - C270

SIMULATED

# Ledil Oy C11252\_Strada-C2-XP C11252\_Strada-C2-XP / LDC (Polar)

Luminaire: Ledil Oy C11252\_Strada-C2-XP C11252\_Strada-C2-XP  
Lamps: 1 x Cree XP-E (White)

