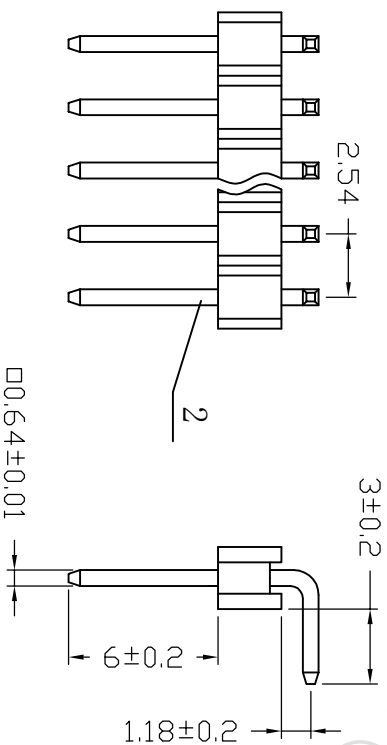
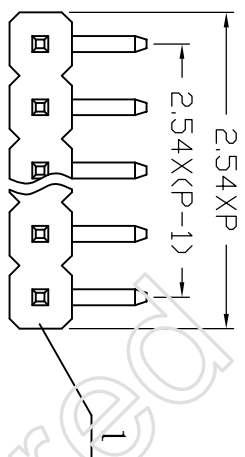


序号/rev/no.	名称/Title	文件编号/File No.
1	塑料件	
2	端子	



Specifications:

Contact Resistance: 30mΩ max.at DC 100 mA

Insulator Resistance: 1000MΩ min.at DC 500V

Current Rating: 1Amp

Dielectric Withstanding Voltage: AC 500V For 1 minute

Operating Temperature:-55°C--+105°C

Contact: Brass

Housing: P46/PA6T &30% Glass Fiber(UL 94V-0)

要求:

1. 塑料件无裂痕。
2. 整排端子成一直线，相邻端子之间相互平行。

序号/Rev/No. 更改记录/Revision note 签名/Signature 日期/Date

设计/Designed by	绘图/Drawng by	审核/Checked by	批准/Approved by	公差/General Tolerance
				X: ±0.2 X: ±0.1 .XX: ±0.05 .XXX: ±0.01
图名/Title		文件编号/File No.		X: ±2° .X: ±1° .XX: ±0.5° .XXX: ±0.01
112-A-SRV406 13.61mm				
备注/Remark		页序/Sheet		单位/Units: mm
112-A-SRV406 13.61mm Btype 2				

新亚电子
XINYA ELECTRONIC CO.,LTD