

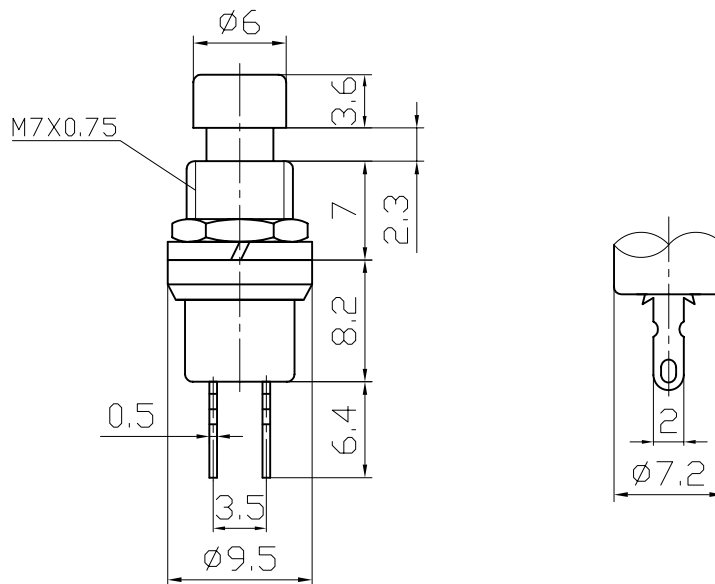
# Push-Button Switch

(TYPE): PBS-10C-2

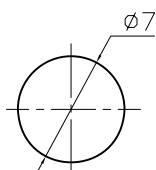
## (Specification)

1. (RATING): 3A 25V AC
2. (Contact R): 20mΩ max
3. (Insulation R): 500V DC 100MΩ min
4. (Dielectric Strength): 1 Minute 1000V AC
5. (Operating Temperature): -25°C ~ +85°C
6. (Electrical Life): 50, 000 Cycles

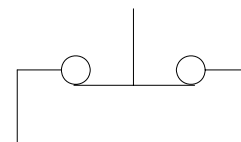
## (Outline Drawing)



## (Mounting)



## (Circuitry)



ON-(OFF)