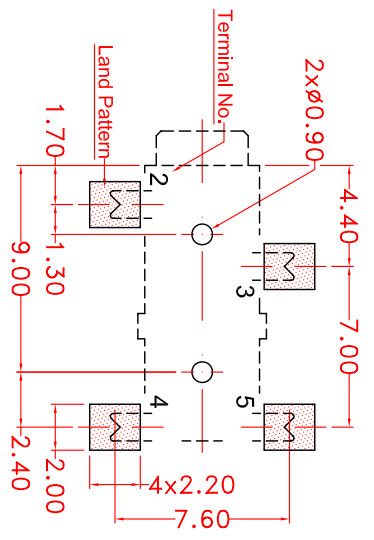


PARTS DETAIL



PIERCING PLAN

SCHEMATIC	MODEL NO.	ST-18G-L10-00-TR	ST-18G-L20-00-TR	ST-18G-L30-00-TR	ST-18G-L50-00-TR



5	TIP BREAK	1	BRASS	Ag PLATED
4	TIP SPRING	1	SPRING ALLOY	Ag PLATED
3	RING SPRING	1	SPRING ALLOY	Ag PLATED
2	SLEEVE SPRING	1	SPRING ALLOY	Ag PLATED
1	HOUSING	1	PA9T	BLACK COLOR
No.	PARTS	QTY.	MATERIAL	TREATMENT



THE 3rd ANGLE PROJECTION

SCALE : 4.0:1.0	DESIGN BY : So Chung Choi	28-SEP-1999	DESCRIPTION : H=2.50mm SMD STEREO PHONE JACK
UNIT : MILLIMETER (mm)	DRAWN BY : So Chung Choi	09-AUG-2011	MODEL NO. : ST-18G-L (Refer to Schematic Table)
TOLERANCE : ±0.20	CHECKED BY :		CAD FILE : C:\JACK DRAWING\ST18GL5000-TR
ANGLE TOL. : 2° 30'	APPROVED BY :		DRAWING FILE : D2K11089

SUN RISE COMPONENT LIMITED

MATE PLUG

