

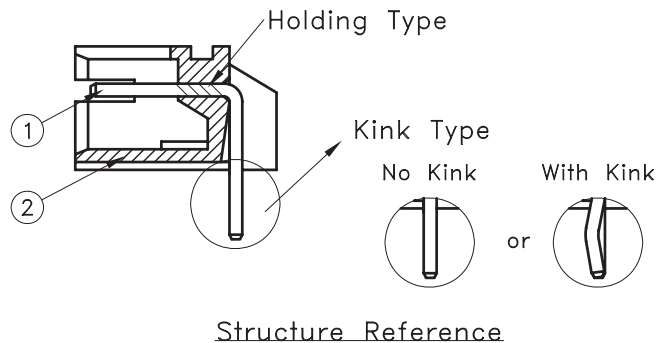
■ SPECIFICATIONS

- Current Rating : 2A AC/DC
- Withstanding Voltage : 800V AC/minute
- Insulation Resistance : 1,000M Ω min
- Temperature Range : - 25°C to + 85°C
- Contact Resistance : 20m Ω max

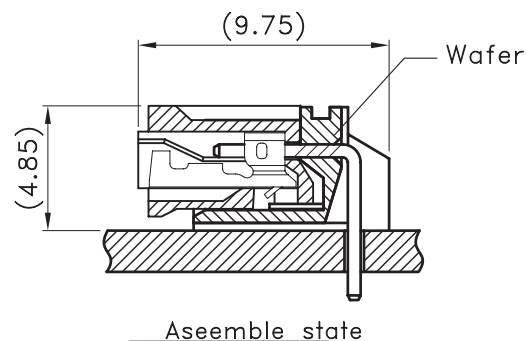
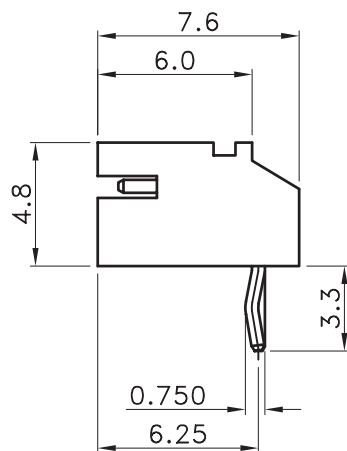
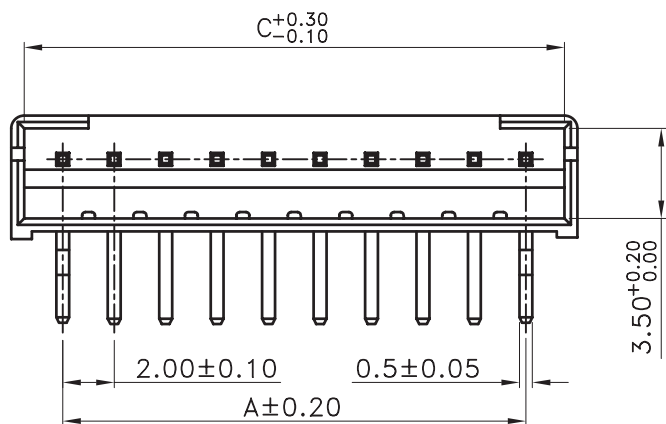
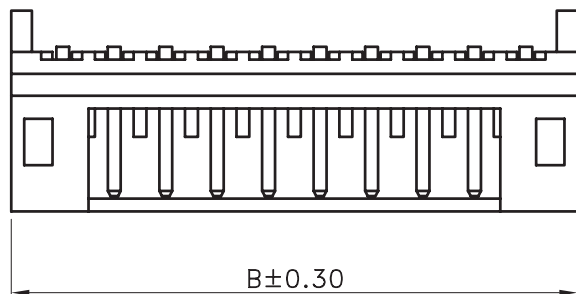
■ WAFER

• Part No. : JS-1125R-XXX(XXXXXXXXXX)XX

- Poles No. ←
- Structure ←
 - S : Holding Type
 - Blank : Normal Type(Standard)
- Plastic ←
 - 6T : PA 6T
 - 9T : PA 9T
 - PA : PA 46
 - Blank : Nylon 66 V-0(Standard)
- Plated ←
 - G : Gold Plated
 - NM : Matte-Tin Plated
 - Blank : Bright-Tin Plated(Standard)
- Color ←
 - BK : Black
 - BU : Blue
 - Blank : Nature(Standard)
- DIP Length ←
 - D : 2.7mm
 - Blank : 3.3mm(Standard)
- Kink Type ←
 - NK : Without Kink
 - Blank : With Kink(Standard)



- Poles :
 - 02~16(Apply Nylon 66 UL94 V-0)
 - 02~05(Apply PA 6T and PA 46 and PA 9T)
- Material :
 - Contact : Brass
 - Base : Refer the above narrative
- Plated : Refer the above narrative
- Q' ty : 1,000 pcs/bag



| Poles | Dimension(mm) | | |
|-------|---------------|-------|-------|
| | A | B | C |
| 2 | 2.00 | 6.00 | 5.00 |
| 3 | 4.00 | 8.00 | 7.00 |
| 4 | 6.00 | 10.00 | 9.00 |
| 5 | 8.00 | 12.00 | 11.00 |
| 6 | 10.00 | 14.00 | 13.00 |
| 7 | 12.00 | 16.00 | 15.00 |
| 8 | 14.00 | 18.00 | 17.00 |
| 9 | 16.00 | 20.00 | 19.00 |
| 10 | 18.00 | 22.00 | 21.00 |
| 11 | 20.00 | 24.00 | 23.00 |
| 12 | 22.00 | 26.00 | 25.00 |
| 13 | 24.00 | 28.00 | 27.00 |
| 14 | 26.00 | 30.00 | 29.00 |
| 15 | 28.00 | 32.00 | 31.00 |
| 16 | 30.00 | 34.00 | 33.00 |



喬訊電子工業股份有限公司
CHYAO SHIUNN
ELECTRONIC INDUSTRIAL LTD.

PART NO JS-1125R-XX

2.00mm DIP Series Wire to Board Connector

| APPROVED BY | SCALE | UNIT | TOLERANCE | LTR | REVISION RECORD | NAME | DATE | LTR | REVISION RECORD | NAME | DATE |
|-------------|------------|---------|------------|-----|-----------------|------|----------|----------|-----------------|----------------------------------|------|
| 張育瑞 | | mm | .0 ±0.30 | △ | 修改PCB孔徑尺寸 | 劉蓮花 | 07/11/20 | | | | |
| CHECKED BY | PROJ | VER NO. | .00 ±0.20 | △ | 修改物性表內容 | 黃科源 | 08/11/26 | | | | |
| 黃科源 | | a7 | .000 ±0.10 | △ | 增加3D&互配視圖 | 金飛 | 10/06/14 | | | | |
| DRAWN BY | DATE | SIZE | ANGLE | | 將所有特殊變化產品圖面合併 | 劉怡萱 | 11/01/17 | CUSTOMER | | | |
| 王誠賢 | 2011/04/15 | A4 | 0° ±1° | △ | 增加CS MARK位置圖 | 王誠賢 | 11/04/18 | | | | |
| | | | .0° ± | △ | | | | | | Conforms to The RoHS Instruction | |
| | | | SHEET | 1/1 | | | | | | | |