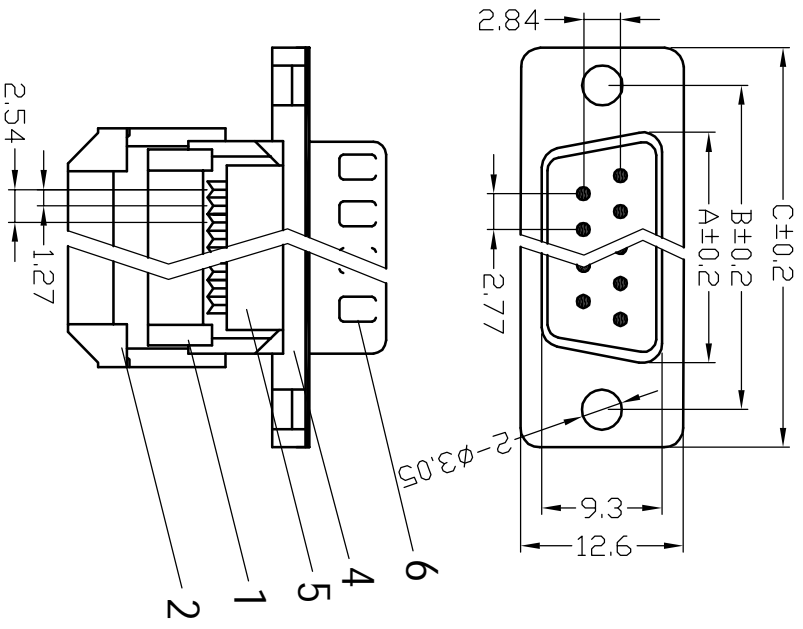


序号/Rev.No.	名称/Title	文件编号/File No.
1	103中盖	
2	103反折盖	
3	103后盖	
4	103M塑件主体	
5	103M端子	
6	铁壳	

Specifications:  
 Contact Resistance: 30mΩ max. at DC 100 mA  
 Insulator Resistance: 1000MΩ min. at DC 500V  
 Current Rating: 5AMP

Dielectric Withstanding  
 Voltage: AC 500V For 1 minute  
 Operating Temperature: -55°C--+105°C  
 Contact: Brass  
 Housing: PBT &30% Glass Fiber (UL 94V-0)



Position	A	B	C
9	17.78	24.99	30.81
15	26.15	33.32	39.20
25	39.94	47.04	53.10
37	56.56	63.50	69.50

设计/Designed by: 绘图/Draw ing by: 审核/Checked by: 批准/Approved by: 未注公差/General Tolerance

图名/Title: 文件编号/File No. X: ±0.2 X: ±0.1 X: ±1. XX: ±0.05 .xxx: ±0.01

103M A 产品图 页序/Sheet: 单位/Unit: mm

序号/Rev.No. 更改记录/Revision note 签名/Signature 日期/Date